



ROCELL BATHWARE COLLECTION



BATHWARE
COLLECTION







BE SEDUCED BY DESIGN

From exquisite interiors to trend-setting lifestyles. From dramatic transformations to beautiful masterpieces. From sublime elegance to awe inspiring combinations. Rocell has made a stunning impact in the world of interiors by uplifting functionality through design and artistry. For 20 years Rocell has been evoking creativity and originality by continuously transcending the ordinary.

Today, an icon of contemporary design, Rocell's success is built upon the brand's foundations which are design, innovation, quality and integrity.

Amongst its vast range of bathware products are the designer collections, the star attractions at Rocell. These masterpieces which are inspired by the renaissance and modern design excellence, are created in collaboration with globally celebrated Italian designers, who lend their expertise to Rocell.

Encompassing a meticulous balance of artistry, beauty and superior functionality, Rocell's bathware products have placed the brand at the forefront of the local and international industries, as the name that can transform ordinary interiors into spaces of artistic elegance.

LET ELEGANCE AND BEAUTY BE A TIMELESS CHOICE

Every Rocell bathware product that leaves our factory is a work of innovative genius encapsulating a combination of aesthetic design and superior functionality.

Manufactured to international standards using modern technology, the most skilled minds in the business and the creative insights of world-renowned Italian designers, Rocell bathware products go through a meticulous process that includes international testing procedures, to ensure a lifetime of precise functionality.



STAIN
RESISTANCE



WEIGHT
RESISTANCE



CRAZE
RESISTANCE



HIGH QUALITY
SEAT COVERS



CHEMICAL
RESISTANCE



FLUSHING
EFFICIENCY



WORLD'S FINEST
RAW MATERIALS

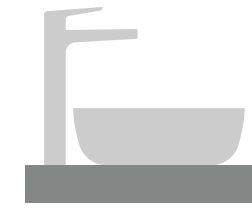


LOW WATER
ABSORPTION



25 YEAR WARRANTY

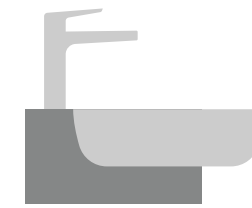
MORE IDEAS
FOR YOUR
DREAM BATH



VESSEL/COUNTER TOP BASINS



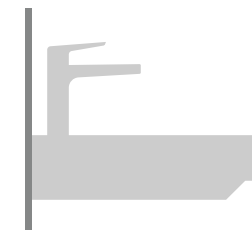
UNDER COUNTER BASINS



SEMI RECESSED BASINS



ABOVE COUNTER BASINS



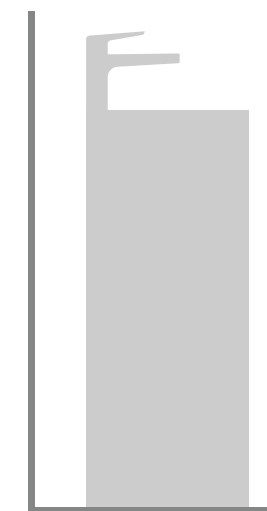
WALL-HUNG IN-WALL BASINS



SELF RIMMING BASINS



FLOOR STANDING BASINS



FREE STANDING BASINS

MORE IDEAS
FOR YOUR
DREAM BATH



FLOOR STANDING - SEMI BACK TO WALL



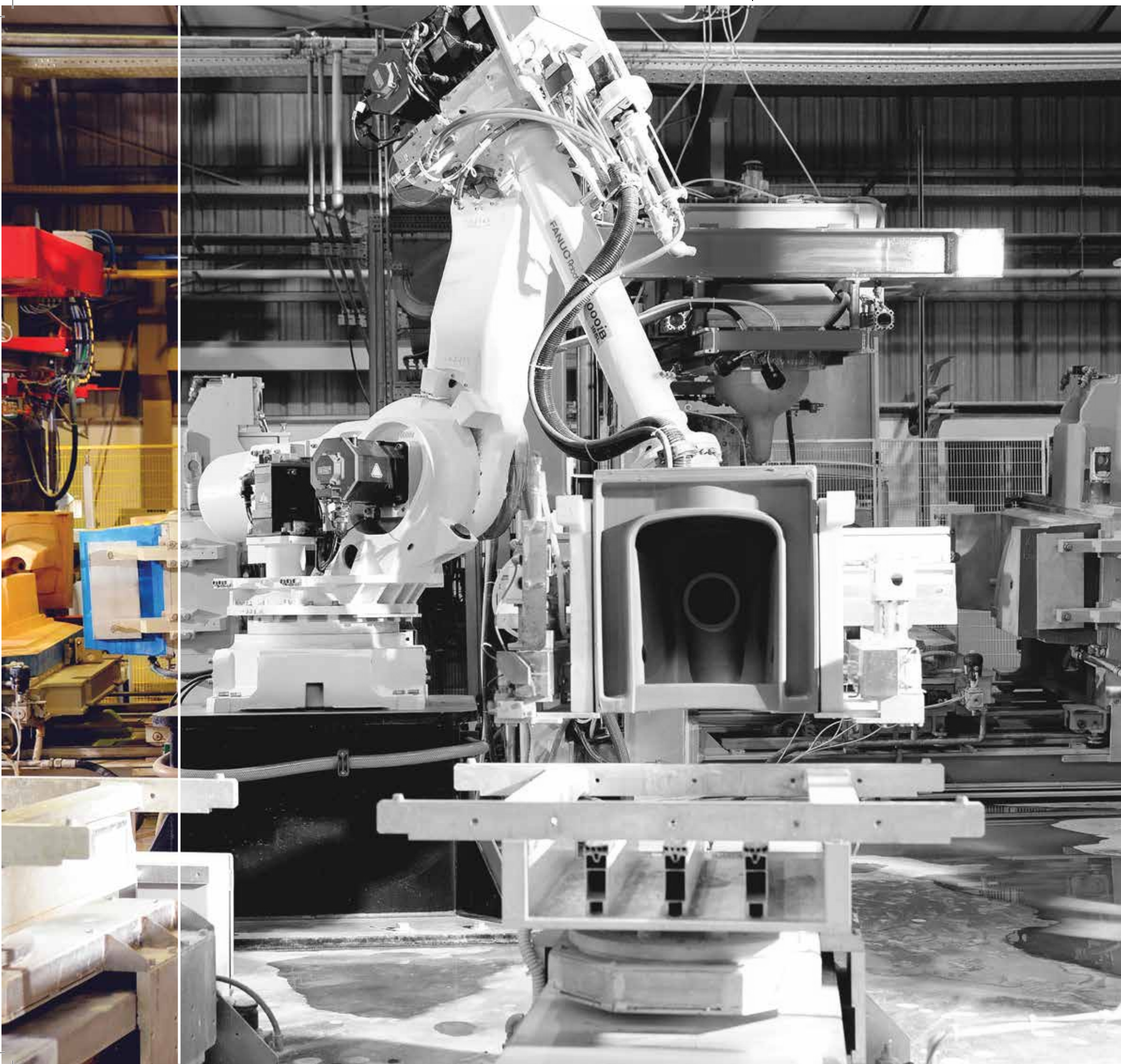
FLOOR STANDING - BACK TO WALL



FLOOR STANDING - IN WALL



WALL HUNG



THE PROCESS TO PERFECTION

Our production involves a complex and in-depth process, where every stage is carefully monitored to ensure that the end-product is nothing short of perfect. Since our inception, we have strived for improvement by introducing modern methods and global standards. Along with the very latest, cutting edge technology and world-renowned Italian designers, we have been able to create one of the best and most iconic bathware brands in South East Asia.

The Rocell Bathware manufacturing facility in Homagama, is at the top of its class in terms of genre, capacity and vision. On par with the most sophisticated sanitary-ware production plants in the world and amongst the best in Asia, this sprawling facility has the capacity to produce approximately 400,000 units of cultured, Virtuous China and Fire Clay sanitary ware annually.

Rocell conforms to British Standard-BS 3402 :1969 and European CE certification, a key guarantee of consumer safety, health and environmental ideals. Rocell water closets are environment friendly as they save water in their function, conforming with the WELS rating and the Watermark Certification.

TECHNOLOGY THAT MORE THAN MEETS THE EYE

Unlike conventional bathware, Rocell Water Closets feature soft close seat covers for longer durability, and flushing mechanisms that function ultra-efficient while saving water.

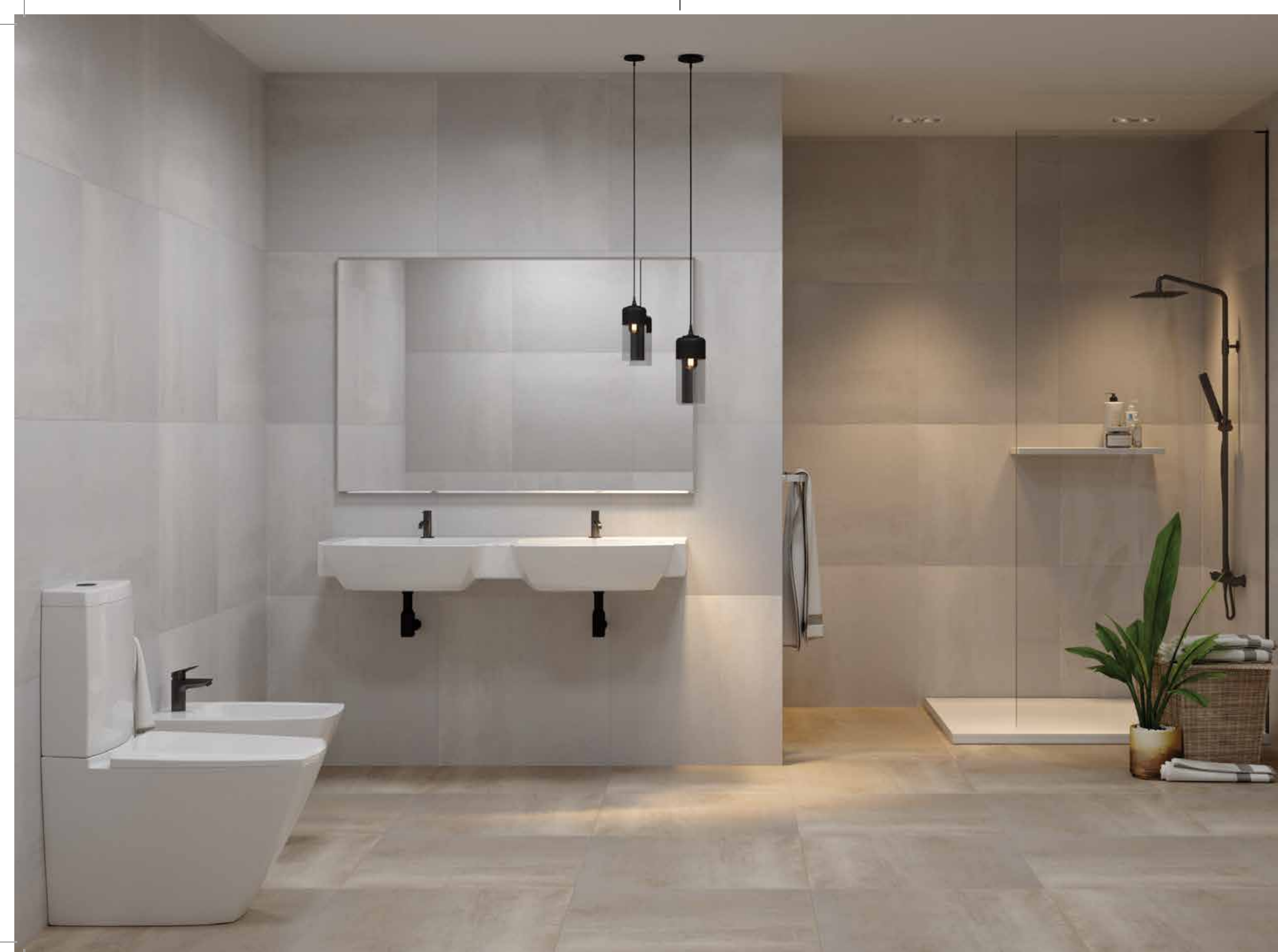


EXCELLENCE ASSURED

At Rocell, the highest levels of excellence are maintained at every stage of the process. All products are manufactured to comply with the base standards of BS 3402:1969, AS 3500: 2015.

Rocell bathware has obtained the WaterMark Certification for its 'water saving' feature in the flushing mechanism of its water closets while Rocell's overall production process is endorsed under the ISO 9001: 2015 quality management system and adheres to ISO 14001: 2015 environmental standards for its continuous Green Initiatives.

Ensuring the best in terms of design and functionality through continuous testing and stringent quality control, has not only offered customers value beyond the money they spend, but has resulted in the brand being recognized with many an award for its standards of excellence.





AZZA

by Carlo Urbinati



SLIDE

by Stefano Giovannoni



GIULY

by Simone Cagnazzo

A SPLASH OF ITALIAN GENIUS

The exclusive, designer bathware collections at Rocell are an embodiment of aesthetic perfection and distinctive beauty. Designed and created by three maestros of Italian design expertise, SLIDE by Stefano Giovannoni, AZZA by Carlo Urbinati and GIULY by Simone Cagnazzo are all uniquely attractive on the outside while being ingeniously engineered on the inside. Each piece of the three collections is an individual work of art, reflecting timeless elegance that's truly world class.

CARLO URBINATI

Carlo Urbinati is considered a genius of Italian artistry. He derives inspiration from both the grandeur of the renaissance as well as contemporary art forms. His exquisite creations are revered as masterpieces in the world of design.

STEFANO GIOVANNONI

A Professor of Industrial Design at the Domus Academy in Milan, Università del Progetto in Reggio Emilia and the Università di Architettura in Genoa, Stefano Giovannoni is an award-winning designer with artistic and technological experience. His work can be found in major museums around the world.

SIMONE CAGNAZZO

Simone Cagnazzo gained international acclaim for his work with exclusive brands such as Porsche Design, Brunner, Jado, Siemens and Swarovski. He studied at the Art Institute and later, Design & Communication at the Università Del Progetto in Reggio, Emilia, in Italy.

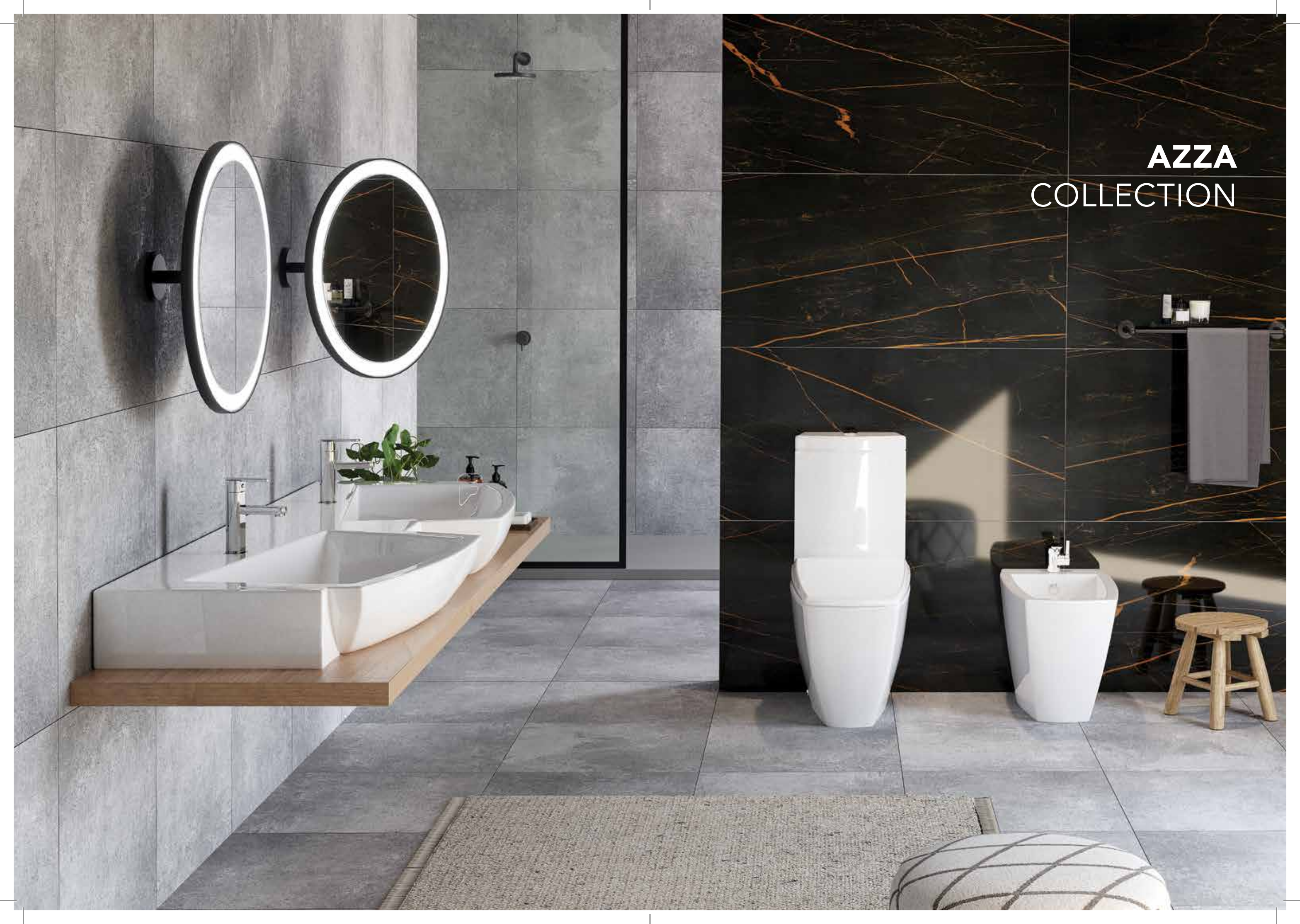



AZZA

by Carlo Urbinati

A strikingly beautiful collection featuring a blend of asymmetrical design and refined curves, the AZZA Collection by Carlo Urbinati, is a beautiful reflection of artistic elegance & precise craftsmanship.


AZZA
COLLECTION





AZZA DOUBLE-BOWL
WASH BASIN
RB.AZD.01G212.01.21

A white ceramic double-bowl wash basin with two rectangular basins side-by-side. Each basin has a modern, single-lever chrome faucet. The basin is set against a plain white wall.



AZZA PEDESTAL WASH BASIN
RB.AZA.01G101.01.09
RB.AZA.02G102.01.08

A white ceramic pedestal wash basin with a single rectangular basin. It features a modern, single-lever chrome faucet. The basin is supported by a tall, cylindrical pedestal. The basin is set against a plain white wall.



AZZA WASH BASIN

RB.AZA.01G101.01.09
RB.AZA.01M101.01.09 (Matt)



AZZA WATER CLOSET

RB.AZA.03G119.01.10
RB.AZA.04G104.01.07
RB.TAZ.0PA661.DU.01



AZZA BIDET

RB.AZA.05G104.01.08

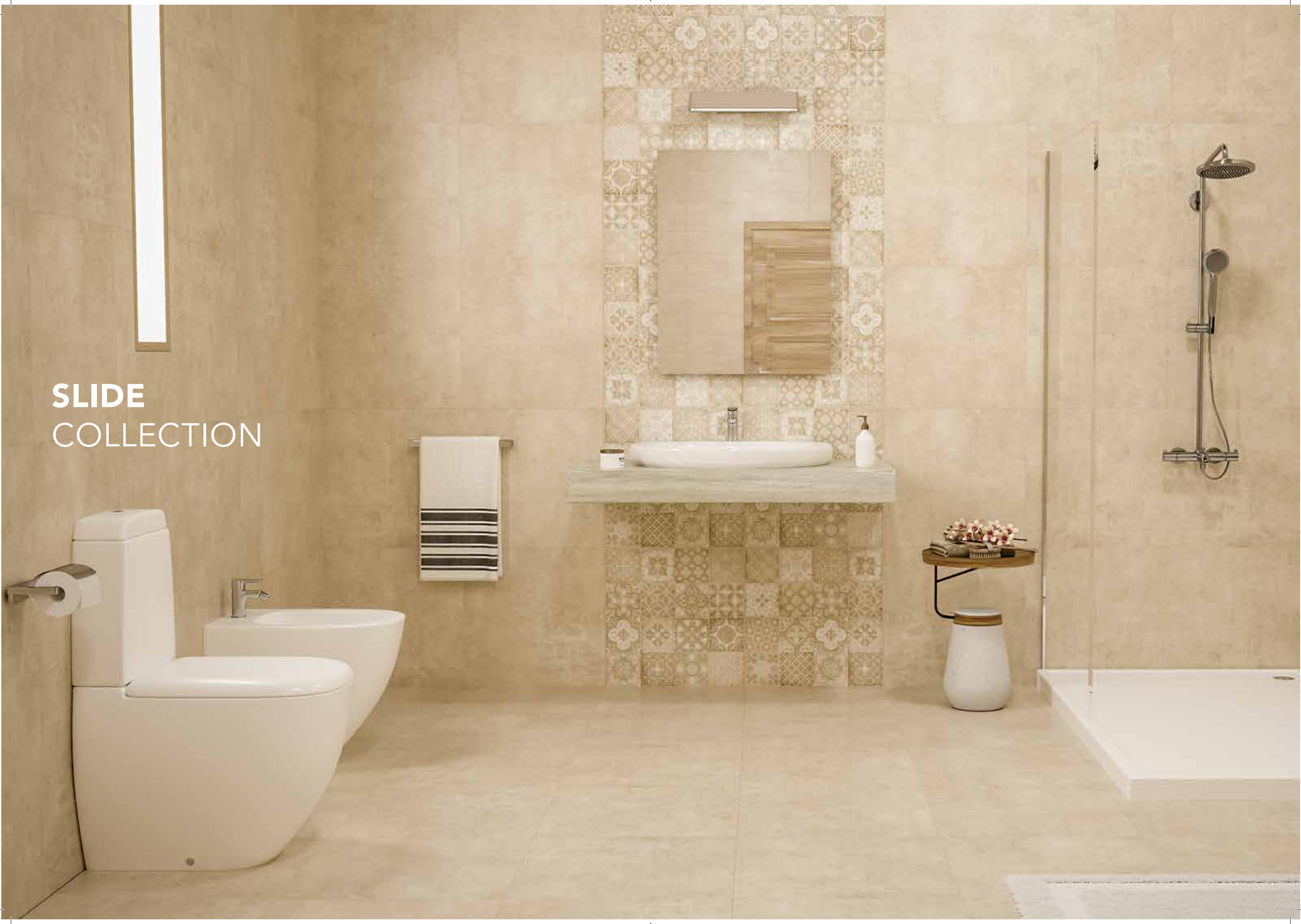


SLIDE

by Stefano Giovannoni

A sinuously stylish collection by Stefano Giovannoni, SLIDE embodies the hallmarks of this designer's creativity and style. Featuring soft contours and gentle silhouettes, SLIDE promises to bring aesthetic charm to any bathroom.

SLIDE
COLLECTION





SLIDE PEDESTAL WASH BASIN
RB.SLP.01G401.01.14



SLIDE 110 WASH BASIN
RB.SLH.01G304.01.18



SLIDE 75 WASH BASIN
RB.SL7.01G104.01.11

SLIDE DROP-IN WASH BASIN

RB.SLD.01G509.01.11



SLIDE WALL-HUNG WASH BASIN

RB.SLD.01G201.01.07



SLIDE



SLIDE WATER CLOSET

RB.SLD.03G119.01.10
RB.SLD.04G104.01.04
RB.TSL.0PA660.DU.PA



**SLIDE FLOOR-STANDING
BIDET**

RB.SLD.05G104.01.08



**SLIDE WALL HUNG WATER
CLOSET**

RB.SLD.03G209.01.08
RB.TGN.0FS210.CB.PA
RB.TSL.0PA660.DU.PA



SLIDE WALL HUNG BIDET

RB.SLD.05G207.01.08



Slide 75 Wash Basin, Wall Hung Water Closet and Bidet



GIULY

by Simone Cagnazzo

A breathtaking collection of bathware featuring sublime curves and graceful sophistication, GIULY by Simone Cagnazzo projects understated elegance and timeless beauty.



GUILY
COLLECTION



GIULY 80 WASH BASIN

RB.GU8.01G204.01.13



GIULY WASH BASIN

RB.GUL.01G101.01.09
RB.GUL.02G102.01.08



GIULY WATER CLOSET

RB.GUL.03G119.01.10
RB.GUL.04G104.01.07
RB.TRC.0PA660.DU.01

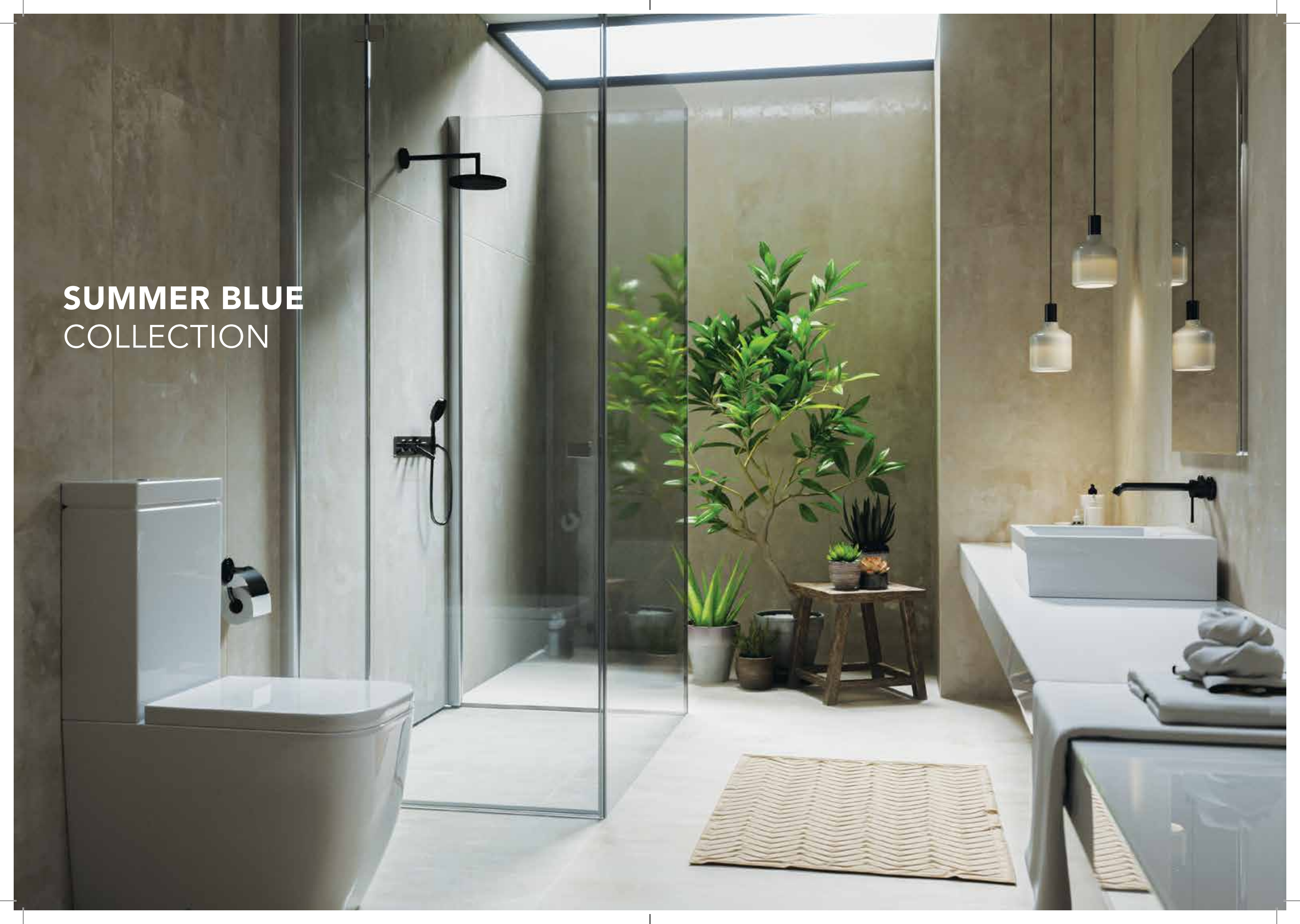


GIULY BIDET

RB.GUL.05G104.01.08



**SUMMER BLUE
COLLECTION**





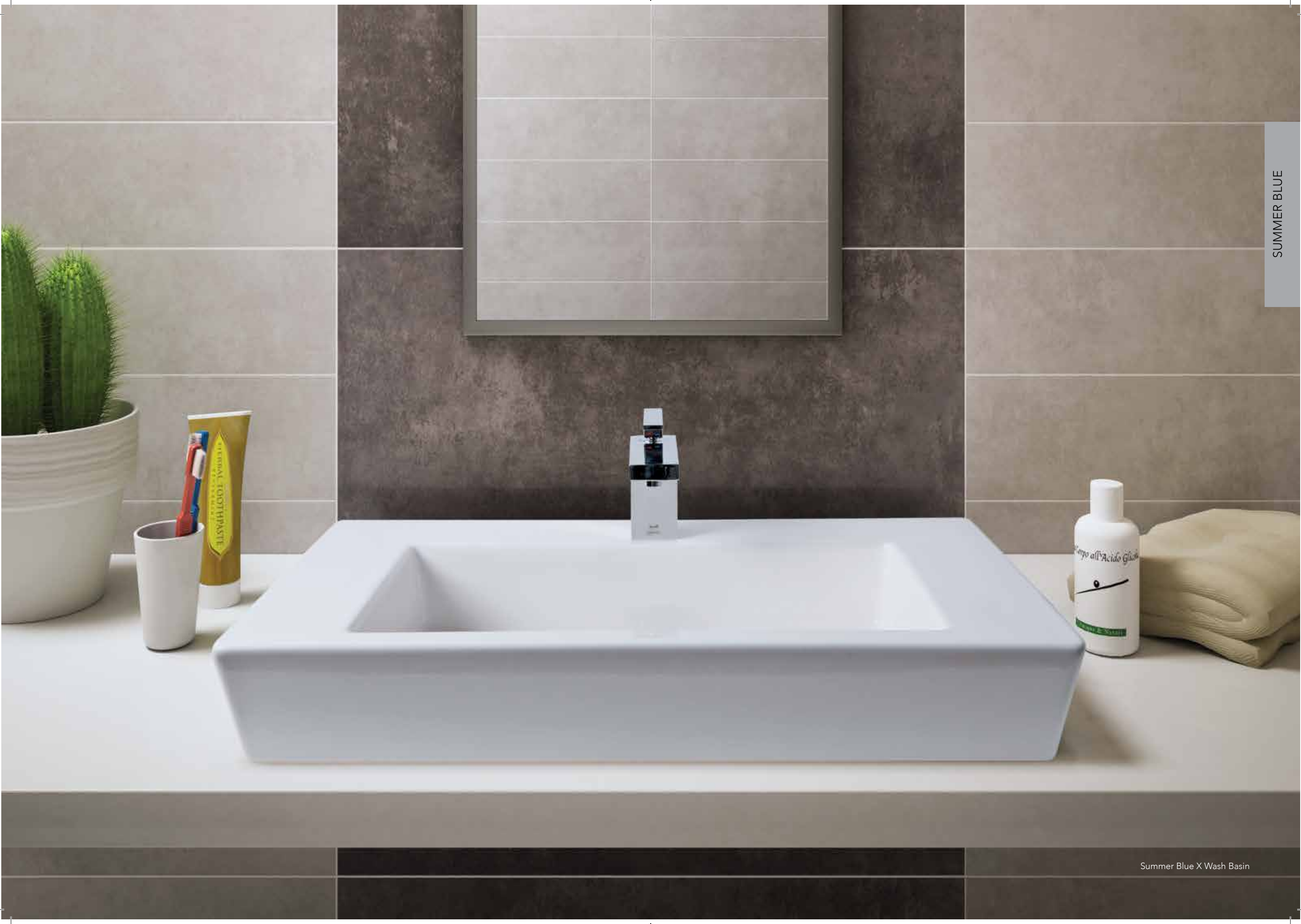
SUMMER BLUE WASH BASIN
RB.SMB.01G107.01.18



SUMMER BLUE X WASH BASIN
RB.SBX.01G104.01.11



SUMMER BLUE



Summer Blue X Wash Basin

SUMMER BLUE 60 WASH BASIN

RB.SB6.01G101.01.10



SUMMER BLUE 40 WASH BASIN

RB.SB4.01G104.01.05



SUMMER BLUE

Summer Blue 60 Wash Basin



Summer Blue Water Closet and Summer Blue Bidet



SUMMER BLUE WATER CLOSET

RB.SMB.03G119.01.10
RB.SMB.04G104.01.05
RB.TSB.0PA661.DU.01

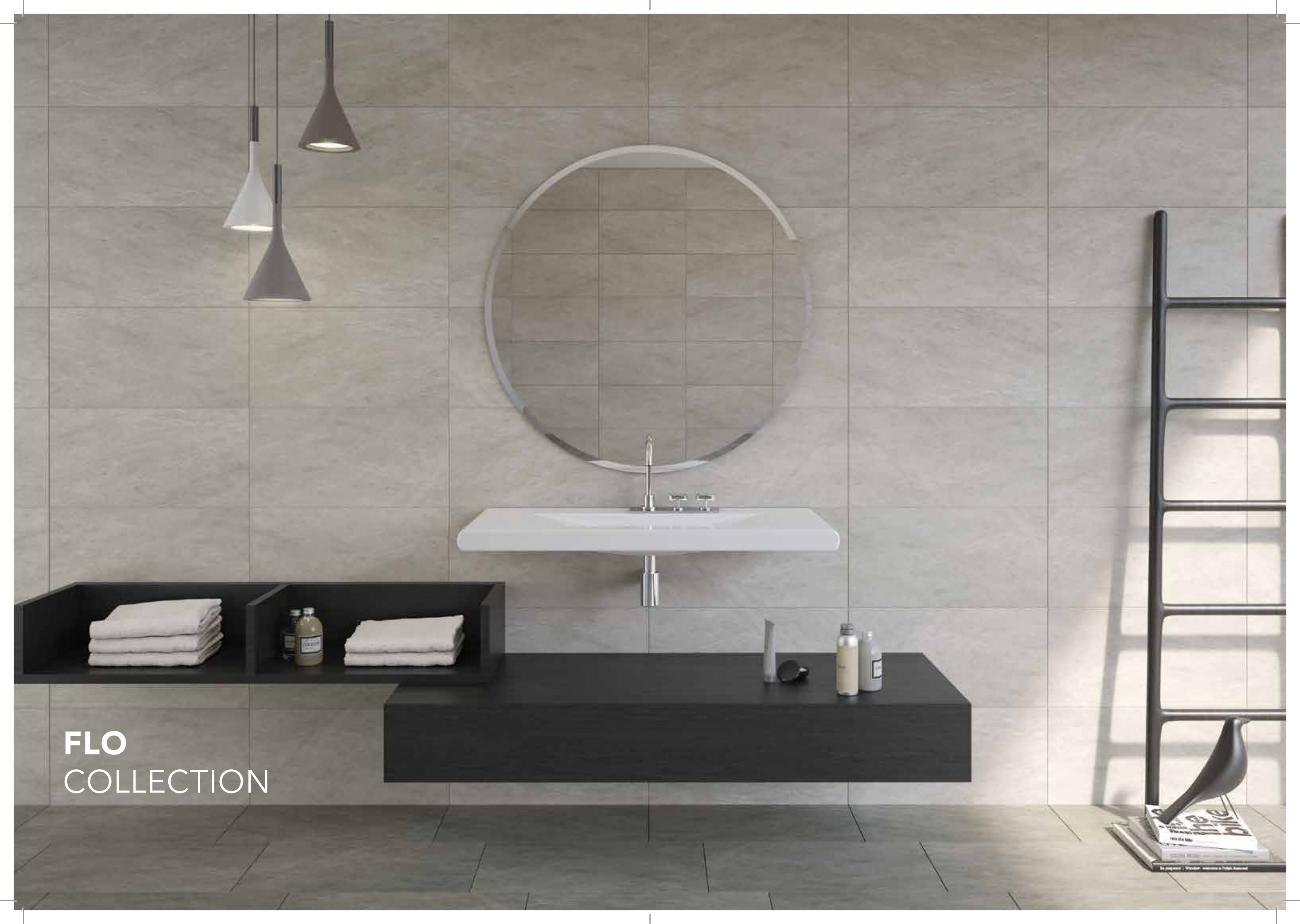
SUMMER BLUE



SUMMER BLUE BIDET

RB.SMB.05G104.01.07

FLO
COLLECTION



FLO WASH BASIN
RB.FLO.01G104.01.16



FLO



Flo Water Closet And Flo Bidet



FLO WATER CLOSET

RB.FLO 03G119.01.10
RB.FLO 04G104.01.05
RB.TFL.0PA661.DU.01

FLO



FLO BIDET

RB.FLO.05G104.01.07

URBANITY
COLLECTION



URBANITY WASH BASIN
RB.UNY.01G110.01.08



URBANITY



Urbanity Bidet



URBANITY WATER CLOSET

RB.UNY.03G109.01.08
RB.TAB.0FS210.ME.PA
RB.TUN.0PA661.DU.01



URBANITY BIDET

RB.UNY.05G107.01.07

ETERNITY
COLLECTION



ETERNITY WASH BASIN
RB.ETE.01G101.01.06



ETERNITY O WASH BASIN
RB.ETO.01G107.01.06



ETERNITY



Eternity O Wash Basin



Eternity Bidet and Eternity Water Closet



ETERNITY WATER CLOSET

RB.ETE.03G109.01.08
RB.TAB.0FS210.ME.PA
RB.TET.0PA661.DU.01

ETERNITY



ETERNITY BIDET

RB.ETE.05G107.01.08



**AQUA +
COLLECTION**

AQUA+ WASH BASIN

RB.AQP.01G101.01.09
RB.CEA.02G102.01.09



AQUA+ WATER CLOSET

RB.AQP.03G119.01.09
RB.CEA.04G104.01.04
RB.TEA.0PA661.DU.01



AQUA+ BIDET

RB.AQP.05G104.01.04



RIVIERA
COLLECTION



RIVIERA 80 WASH BASIN

RB.RV8.01G101.01.12



RIVIERA 610 WASH BASIN

RB.RV6.01G101.01.09
RB.RV6.02G10B.01.11



RIVIERA WASH BASIN

RB.RV6.01G101.01.09
RB.RV6.02G102.01.11



RIVIERA



Riviera Water Closet



RIVIERA WATER CLOSET

RB.RVR.03G119.01.10
RB.RVR.04G104.01.04
RB.TGN.0PA660.DU.01



RIVIERA BIDET

RB.RVR.05G104.01.08

INTENSE
COLLECTION





INTENSE WASH BASIN

RB.INS.01G101.01.10
RB.INS.02G102.01.11



INTENSE WATER CLOSET

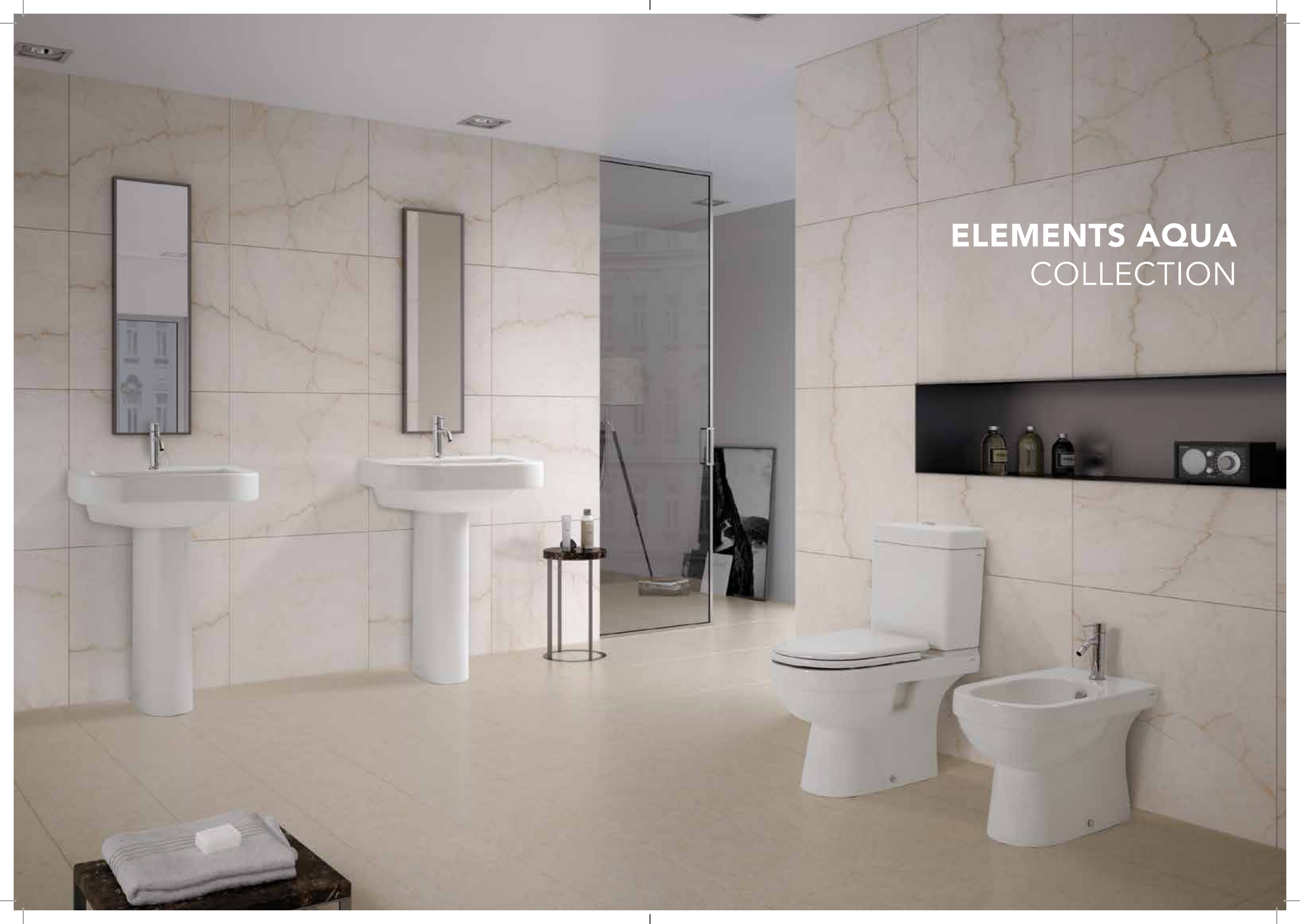
RB.INS.03G119.01.10
RB.INS.04G104.01.05
RB.TIN.0PA661.DU.01



INTENSE BIDET

RB.INS.05G104.01.08

ELEMENTS AQUA
COLLECTION



**ELEMENTS AQUA WASH
BASIN**

RB.EAQ.01G101.01.09
RB.CEA.02G102.01.09



**ELEMENTS AQUA WATER
CLOSET**

RB.EAQ.03G112.01.09
RB.CEA.04G104.01.04
RB.TEA.0PA661.DU.01



ELEMENTS AQUA BIDET

RB.EAQ.05G101.01.08





DUNE
COLLECTION

DUNE WASH BASIN

RB.DUN.01G101.01.09
RB.CDU.02G102.01.10



DUNE WATER CLOSET

RB.DUN.03G112.01.09
RB.DUN.04G104.01.04
RB.TDU.0PA661.PR.01

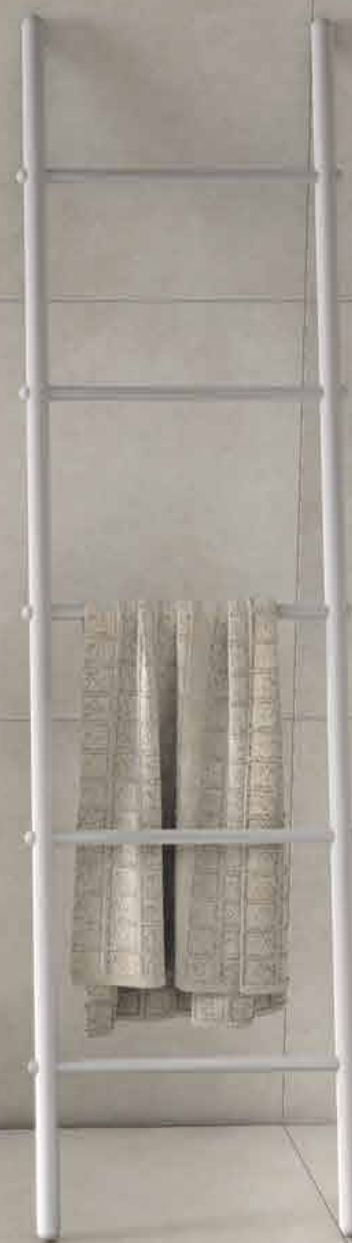


DUNE BIDET

RB.CDU.05G101.01.08



URBAN D
COLLECTION



URBAN D WASH BASIN

RB.URD.01G101.01.08
RB.CDU.02G102.01.10



URBAN D WATER CLOSET

RB.URD.03G112.01.09
RB.URD.04G104.01.04
RB.TUD.0PA661.PP.01



URBAN D BIDET

RB.CDU.05G101.01.08



EFI
COLLECTION





EFI WASH BASIN

RB.EFI.01G101.01.07
RB.CEF02G102.01.10



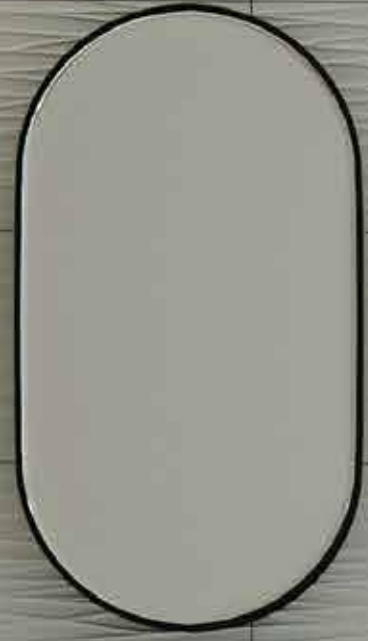
EFI WATER CLOSET

RB.EFI.03G112.01.08
RB.EFI.04G104.01.04
RB.TEF.0PA662.PR.01

EFI MINI WASH BASIN
RB.EFM.01G101.01.07



EFI



STAND ALONE WASH BASINS AND WATER CLOSETS

ARTISAN BLEU
RB.ARB.01M107.15.07



FLOOR STANDING

AQUA ARC WASH BASIN

RB.AQA.01G107.01.04



AQUA ARC WITH CERAMIC TABLE

RB.AQA.01G107.01.04

RB.AQA.02G101.01.02

RB.CET.06G100.01.20



COUNTER TOP

COUNTER TOP



Aqua Arc with Ceramic Table



Aqua Cube



AQUA CUBE
RB.AQC.01G107.01.04

COUNTER TOP

**AQUA CUBE WITH CERAMIC
TABLE**

RB.AQC.01G107.01.04
RB.CET.06G100.01.20



COUNTER TOP

AQUA MARQUE WASH BASIN
RB.AMQ.01G107.01.07



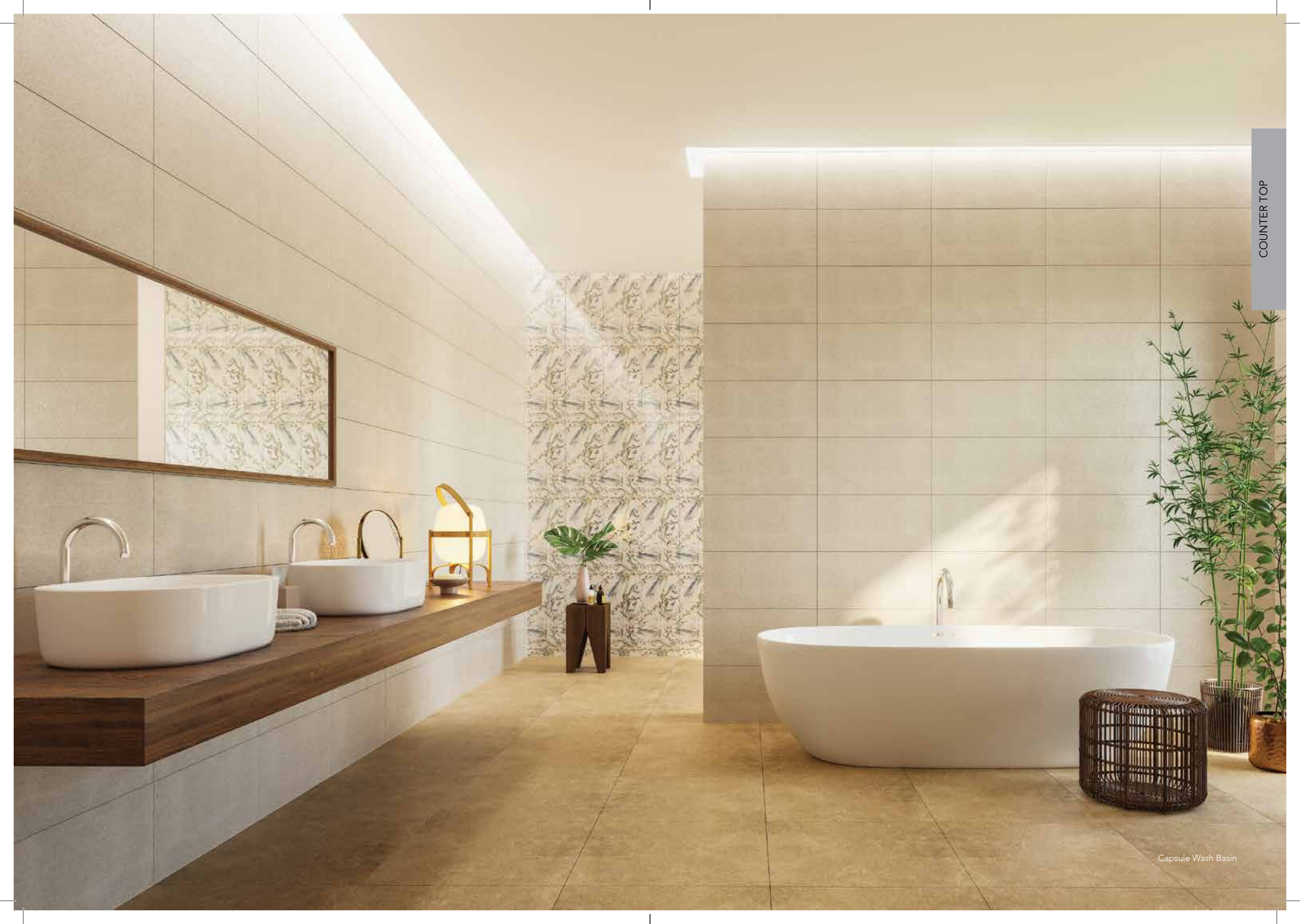
CAPSULE WASH BASIN
RB.CPS.01G107.09



COUNTER TOP



Aqua Marque Wash Basin



COUNTER TOP

Capsule Wash Basin



AQUA TANK WASH BASIN
RB.AQT.01G107.01.09



COUNTER TOP

Aqua Tank Wash Basin



ECLIPSE WASH BASIN
RB.ECL.01G107.01.08



ELAN WASH BASIN
RB.ELN.01G107.01.05





COUNTER TOP

Eclipse Wash Basin

COUNTER TOP



Elan Wash Basin



Aqua Corner Wash Basin



AQUA CORNER WASH BASIN
RB.ACO.01G101.01.06

CORNER BASIN

AQUA MINI
RB.AQM.01G101.01.05



SMALL BASIN



Dew Point Wash Basin



DEW POINT WASH BASIN

RB.DWP01G101.01.11
RB.DWP02G101.01.02



NAUTINA WASH BASIN
RB.NAT.01G101.01.18



DEEP BLUE WASH BASIN
RB.DEB.01G101.01.16



Deep Blue Wash Basin



WALL HUNG



Nautina Wash Basin

SUB ZERO WASH BASIN
RB.SUZ.01G109.01.08



LOOP WASH BASIN
RB.LOP01G107.01.05



ABOVE COUNTER



ABOVE COUNTER

Sub Zero Wash Basin



Tube



TUBE
RB.TTU.01G107.01.05

FREE STANDING



Quadro Wash Basin



QUADRO WASH BASIN
RB.QUD.01G108.01.07



ZEN WASH BASIN
RB.ZEN.01G108.01.08

Zen Wash Basin

UNDER COUNTER



Zen Wash Basin



Zero Wash Basin



ZERO WASH BASIN
RB.ZRO.01G108.01.05

UNDER COUNTER



AQUA FLAME WATER CLOSET

RB.AQF.03G119.01.10
RB.AQF.04G104.01.04
RB.TES.0PA661.DU.01



WATER CLOSET

Aqua Flame Water Closet



Senso Water Closet



SENSO WATER CLOSET

RB.SNF.03G117.01.09
RB.TRC.0FS210.AB.PA
RB.TUN.0PA660.EL.01

**DEW POINT
(MANUAL F/V)**

RB.DWP.07G102.01.08



DEW POINT (SENSOR)

RB.DWP.07G100.01.08



Dew Point (with Sensor)



Flo (with Sensor)



FLO (MANUAL F/V)
RB.FLO.07G102.01.03



FLO (SENSOR)
RB.FLO.07G100.01.03



FIOR - URINAL (BACK INLET)
RB.FIR.07G100.01.11



URBANITY (SENSOR)
RB.UNY.07G100.01.07



Urbanity (With Sensor)





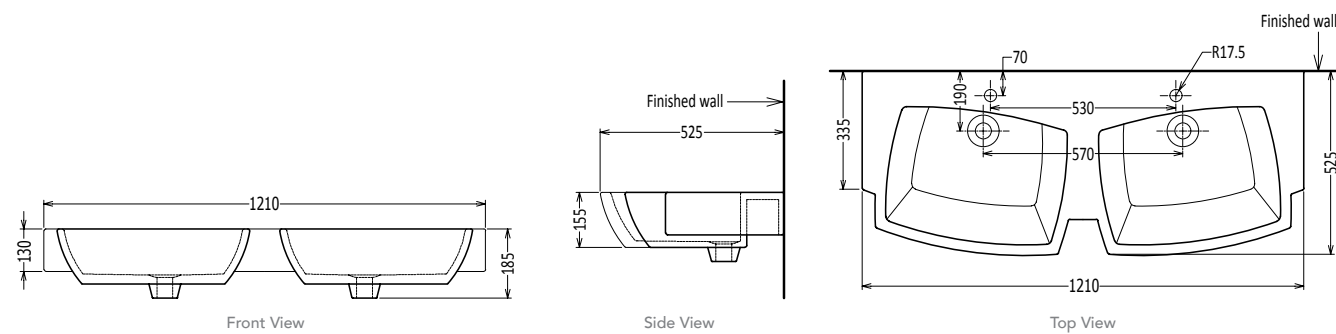
AZZA DOUBLE-BOWL WASH BASIN

RB.AZD.01G212.01.21

TECHNICAL INFORMATION

** Approximate measurements for comparison only

CONFIGURATION	WALL HUNG WASH BASIN
Weight (WB + Ped)	37 kg
Basin Area	470 X 350 X 130 mm X 2
Height - Floor to Rim	850 mm
Nominal Dimensions	1210 X 525 X 185 mm
Waste Hole	48 mm
Water Depth	130 mm



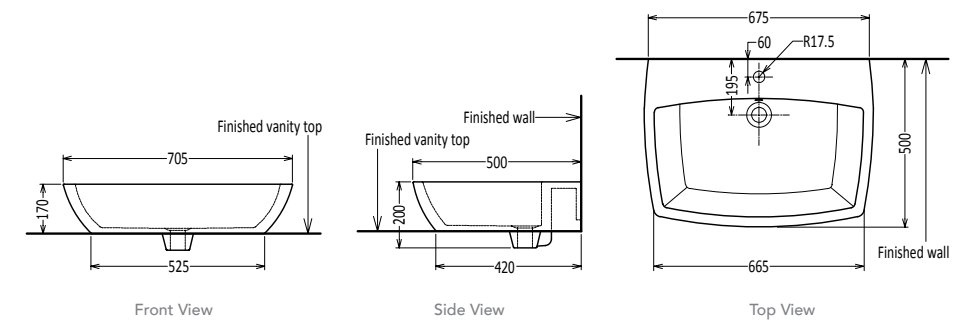
TECHNICAL INFORMATION

** Approximate measurements for comparison only

CONFIGURATION	VESSEL/COUNTER TOP
Weight	21.5 kg
Basin Area	635 X 345 X 155 mm
Height - Floor to Rim	850 mm
Nominal Dimensions	705 X 500 X 200 mm
Faucet Hole	35 mm
Waste Hole	45 mm
Water Depth	95 mm

AZZA WASH BASIN

RB.AZA.01G101.01.09



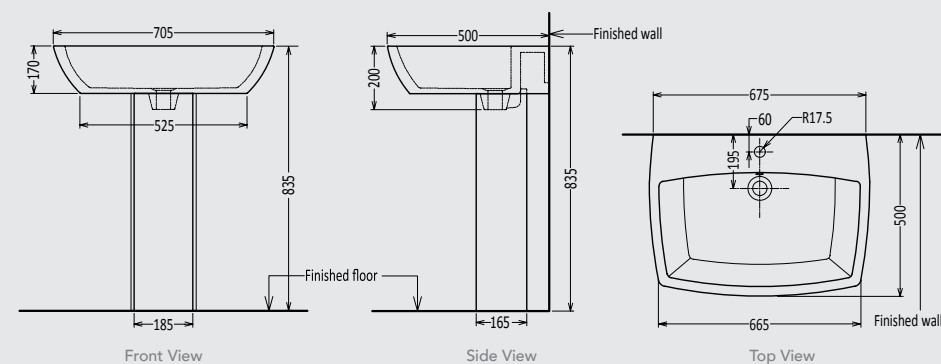
AZZA PEDESTAL WASH BASIN

RB.AZA.01G101.01.09
RB.AZA.02G102.01.08

TECHNICAL INFORMATION

** Approximate measurements for comparison only

CONFIGURATION	FLOOR STANDING BIDET
Weight (WB + Ped)	(WB + PD) - 20+10.5 = 30.5 kg
Basin Area	635 X 345 X 155 mm
Height - Floor to Rim	840 mm
Nominal Dimensions	705 X 500 X 835 mm
Faucet Hole	35 mm
Waste Hole	45 mm
Water Depth	95 mm



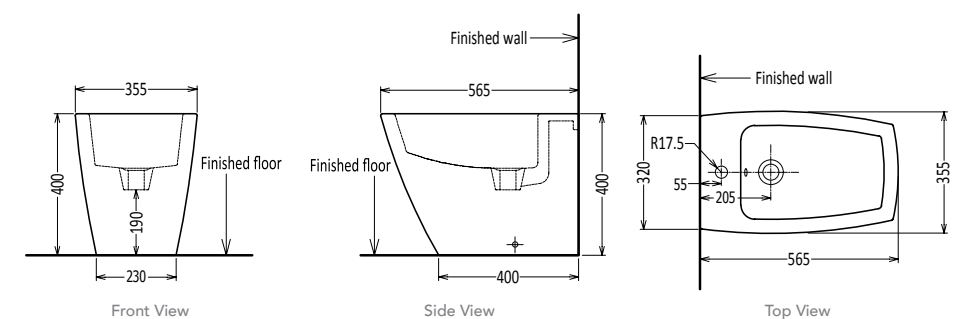
TECHNICAL INFORMATION

** Approximate measurements for comparison only

CONFIGURATION	FLOOR STANDING BIDET
Weight	25 kg
Bowl Size	410 X 282 X 165mm
Height - Floor to Rim	400 mm
Nominal Dimensions	568 X 355 X 400 mm
Faucet Hole	35 mm
Waste Hole	45 mm

AZZA BIDET

RB.AZA.05G104.01.08



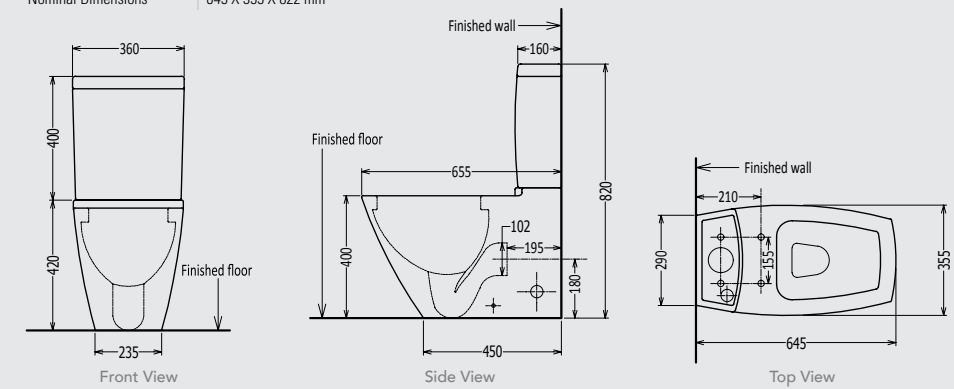
AZZA WATER CLOSET

RB.AZA.03G119.01.10
RB.AZA.04G104.01.07
RB.TAZ.0PA661.DU.01

TECHNICAL INFORMATION

** Approximate measurements for comparison only

CONFIGURATION	WATER CLOSET
Water per flush	4.5/3
Water depth from rim	255 mm
Trap diameter	102 mm
Distance from floor to waste outlet center	128 mm
Distance between seat post hole centers	150 mm
Weight (WC+Tank)	36 + 12.5 = 48.5kg
Bowl Size	330 X 260 X 192 mm
Nominal Dimensions	645 X 355 X 822 mm



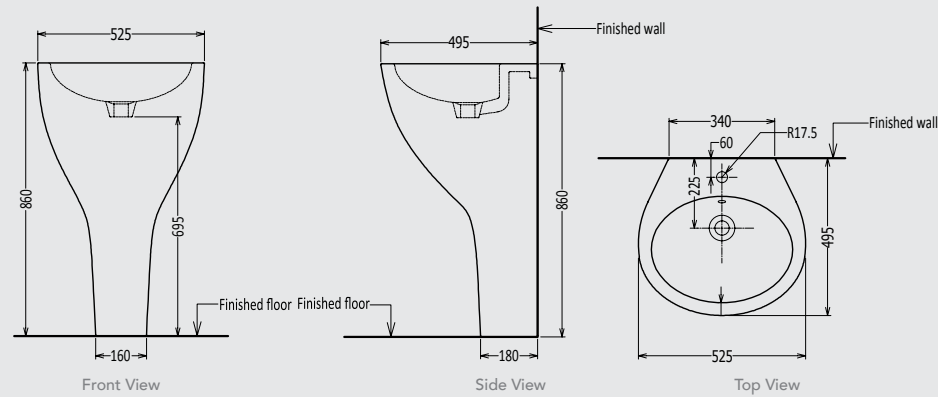
SLIDE PEDESTAL WASH BASIN

RB.SLR.01G401.01.14

TECHNICAL INFORMATION

** Approximate measurements for comparison only

CONFIGURATION	FLOOR STANDING WASH BASIN
Weight (WB + Ped)	(WB + PD) - 22+9.5 = 31.5 kg
Basin Area	445 X 345 X 125 mm
Height - Floor to Rim	850 mm
Nominal Dimensions	525 X 495 X 860 mm
Faucet Hole	35 mm
Waste Hole	45 mm
Water Depth	80 mm



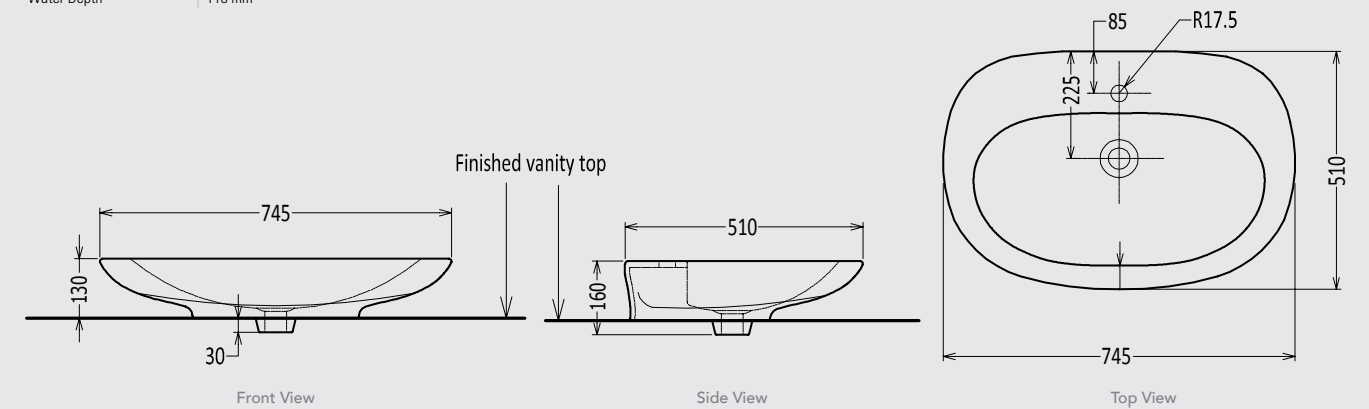
SLIDE 75 WASH BASIN

RB.SL7.01G104.01.11

TECHNICAL INFORMATION

** Approximate measurements for comparison only

CONFIGURATION	VESSEL/COUNTER TOP
Weight	14 kg
Basin Area	625 X 330 X 118 mm
Height - Floor to Rim	850 mm
Nominal Dimensions	745 X 510 X 160 mm
Faucet Hole	36 mm
Waste Hole	47 mm
Water Depth	118 mm



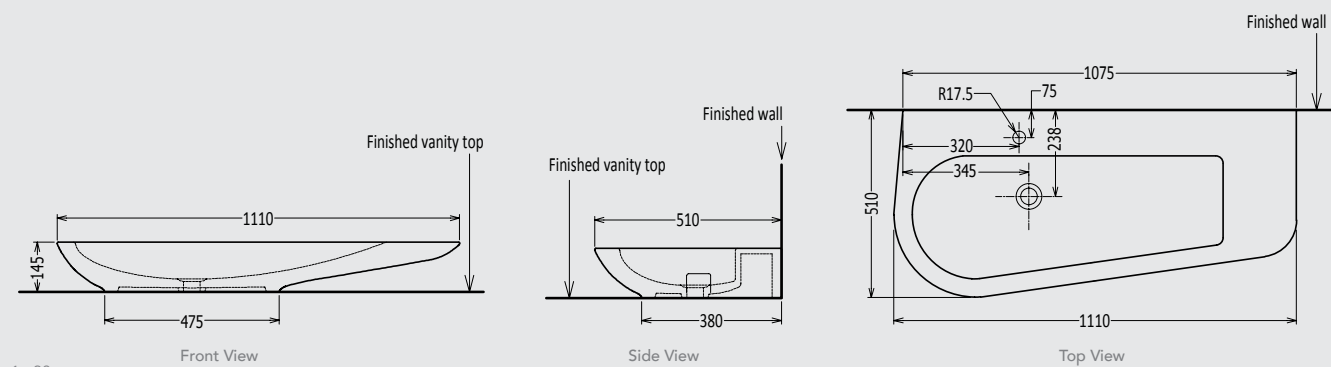
SLIDE 110 WASH BASIN

RB.SLH.01G304.01.18

TECHNICAL INFORMATION

** Approximate measurements for comparison only

CONFIGURATION	VESSEL/COUNTER TOP
Weight	29 kg
Basin Area	860 X 335 X 112 mm
Height - Floor to Rim	850 mm
Nominal Dimensions	1110 X 510 X 150 mm
Faucet Hole	35 mm
Waste Hole	45 mm
Water Depth	112 mm



Scale - 1 : 20

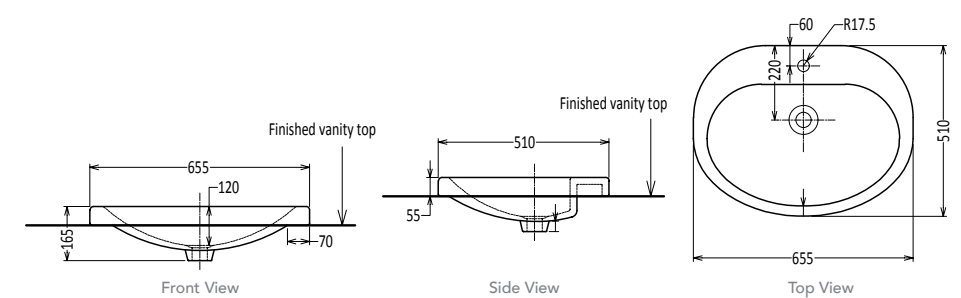
SLIDE DROP-IN WASH BASIN

RB.SLD.01G509.01.11

TECHNICAL INFORMATION

** Approximate measurements for comparison only

CONFIGURATION	ABOVE COUNTER WASH BASIN
Weight	12 kg
Basin Area	550 X 365 X 125 mm
Height - Floor to Rim	850 mm
Nominal Dimensions	655 X 515 X 168 mm
Faucet Hole	35 mm
Waste Hole	46 mm
Water Depth	125 mm



Scale - 1 : 20



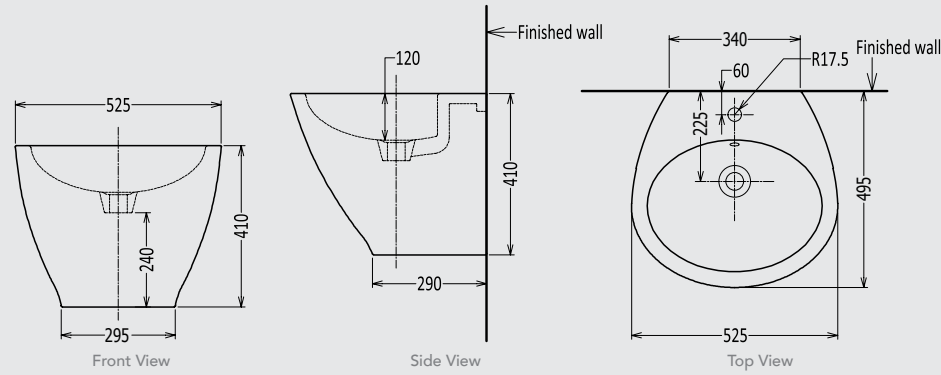
SLIDE WALL-HUNG WASH BASIN

RB.SLD.01G201.01.07

TECHNICAL INFORMATION

** Approximate measurements for comparison only

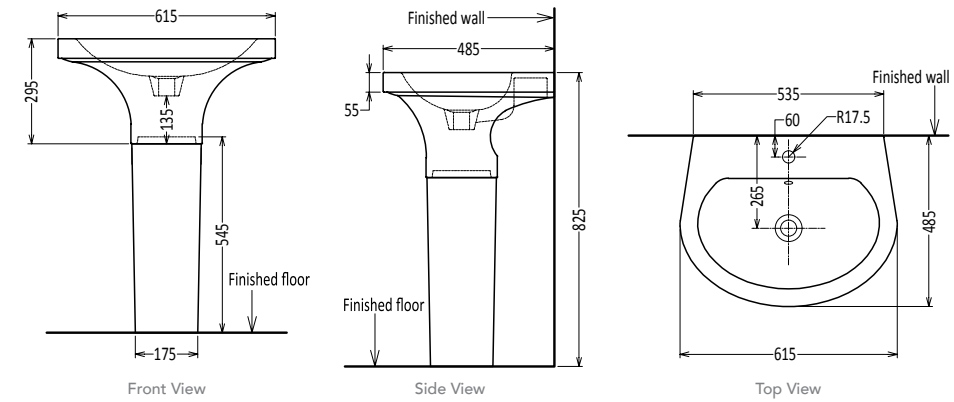
CONFIGURATION	WALL-HUNG WASH BASIN
Weight	22 kg
Basin Area	445 X 345 X 120 mm
Height - Floor to Rim	850 mm
Nominal Dimensions	(WB) 525 X 495 X 410 mm
Faucet Hole	35 mm
Waste Hole	45 mm
Water Depth	80 mm



TECHNICAL INFORMATION

** Approximate measurements for comparison only

CONFIGURATION	FLOOR STANDING WASH BASIN
Weight (WB + Ped)	18 + 6.5 = 24.5 kg
Basin Area	510 X 315 X 112 mm
Height - Floor to Rim	825 mm
Nominal Dimensions	615 X 485 X 825 mm
Faucet Hole	34 mm
Waste Hole	45 mm
Water Depth	70 mm



GIULY WASH BASIN

RB.GUL.01G101.01.09
RB.GUL.02G102.01.08



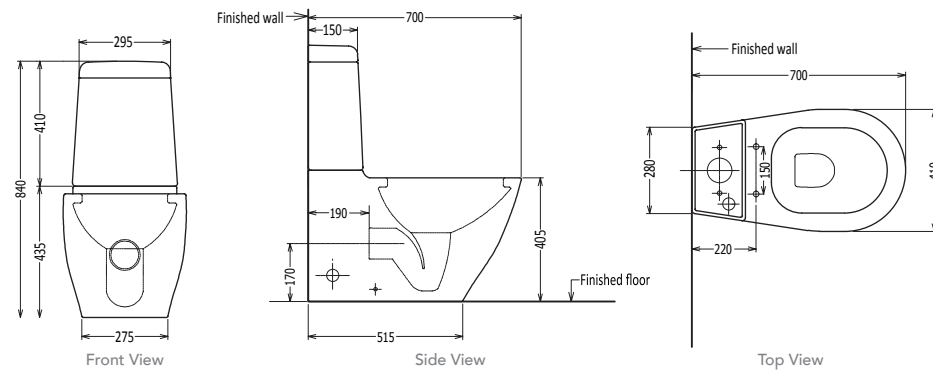
SLIDE FLOOR-STANDING WATER CLOSET

RB.SLD.03G119.01.10
RB.SLD.04G104.01.04
RB.TSL.0PA660.DU.PA

TECHNICAL INFORMATION

** Approximate measurements for comparison only

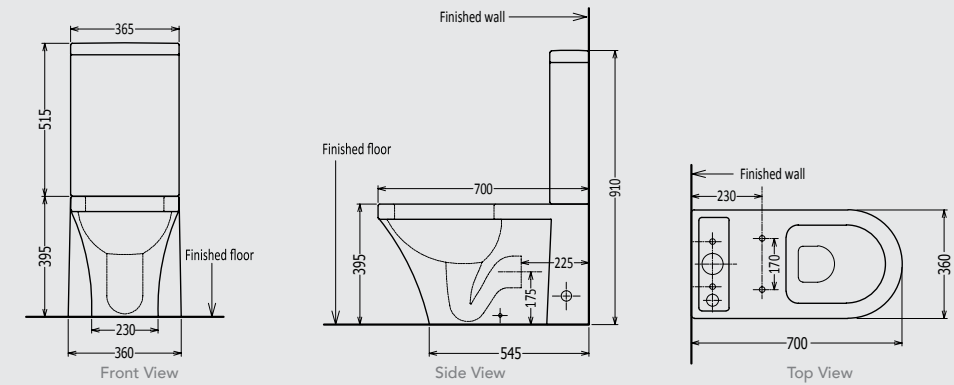
CONFIGURATION	WATER CLOSET
Water per flush	4.5/3
Water depth from rim	270 mm
Trap diameter	102 mm
Distance from floor to waste outlet center	170 mm
Distance between seat post hole centers	150 mm
Weight (WC+Tank)	(WC + WT) - 38.5+12 = 50.5 kg
Bowl Size	374 X 280 X 208 mm
Nominal Dimensions	700 X 410 X 840 mm



TECHNICAL INFORMATION

** Approximate measurements for comparison only

CONFIGURATION	WATER CLOSET
Water per flush	4.5/3
Water depth from rim	257 mm
Trap diameter	102 mm
Distance from floor to waste outlet center	175 mm
Distance between seat post hole centers	170 mm
Weight (WC+Tank)	(WC + WT) - 36.5+17 = 58 kg
Bowl Size	330 X 260 X 200 mm
Nominal Dimensions	700 X 365 X 910 mm



GIULY WATER CLOSET

RB.GUL.03G119.01.10
RB.GUL.04G104.01.07
RB.TRC.0PA660.DU.01



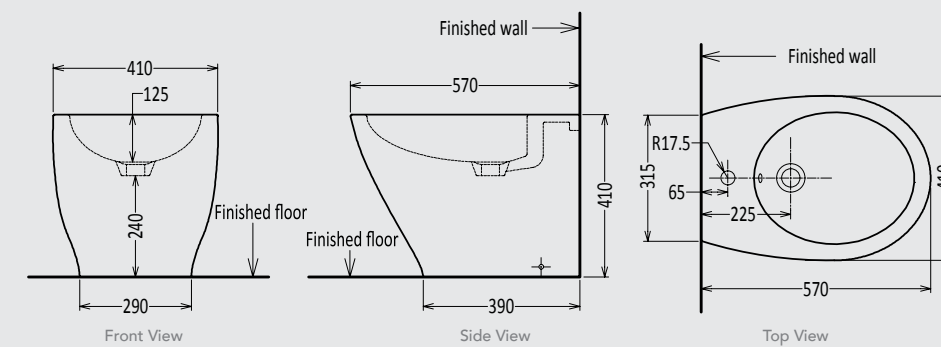
SLIDE FLOOR-STANDING BIDET

RB.SLD.05G104.01.08

TECHNICAL INFORMATION

** Approximate measurements for comparison only

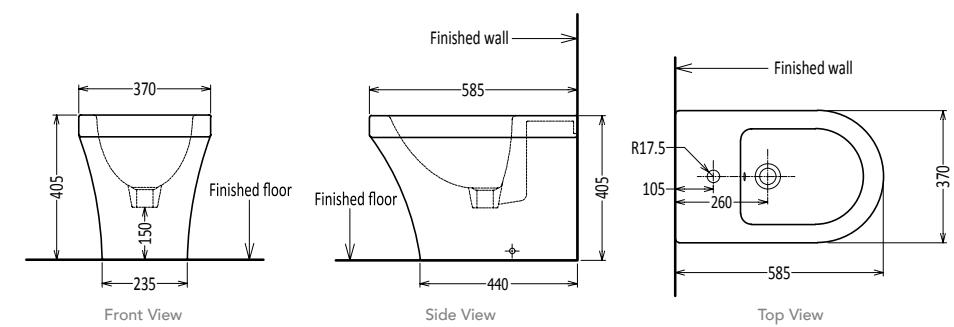
CONFIGURATION	FLOOR STANDING BIDET
Weight	25 kg
Bowl Size	390 X 340 X 120mm
Height - Floor to Rim	410 mm
Nominal Dimensions	567 X 408 X 410 mm
Faucet Hole	35 mm
Waste Hole	45 mm



TECHNICAL INFORMATION

** Approximate measurements for comparison only

CONFIGURATION	FLOOR STANDING BIDET
Weight	26 kg
Bowl Size	340 X 270 X 205 mm
Height - Floor to Rim	405 mm
Nominal Dimensions	585 X 370 X 405 mm
Faucet Hole	36 mm
Waste Hole	45 mm



GIULY BIDET

RB.GUL.05G104.01.08





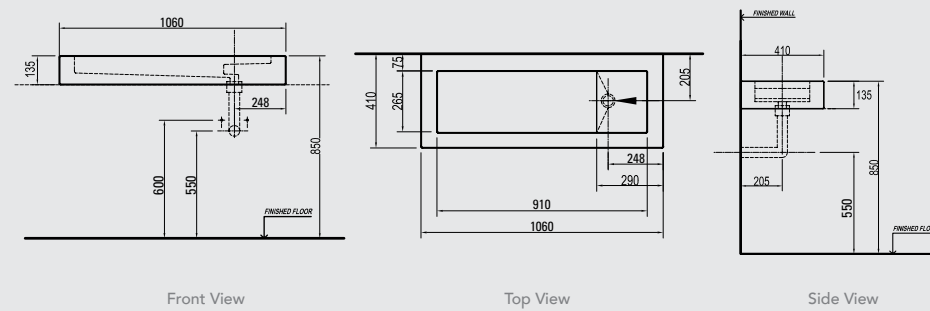
SUMMER BLUE WASH BASIN

RB.SMB.01G107.01.18

TECHNICAL INFORMATION

** Approximate measurements for comparison only

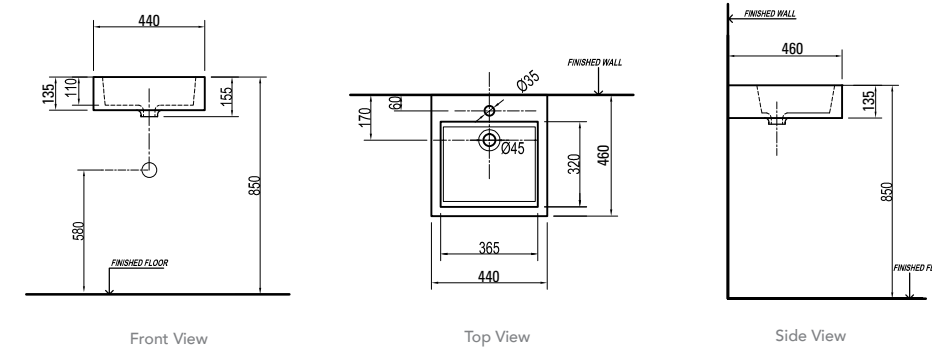
CONFIGURATION	VESSEL WASH BASIN
Weight	30 kg
Basin Area	910 x 265 x 110 mm
Height - Floor to Rim	850 mm
Nominal Dimensions	1060 x 410 x 135 mm
Waste Hole	50 mm



TECHNICAL INFORMATION

** Approximate measurements for comparison only

CONFIGURATION	VESSEL WASH BASIN
Weight	14 kg
Basin Area	365 x 320 x 110 mm
Height - Floor to Rim	850 mm
Nominal Dimensions	440 x 460 x 155 mm
Faucet Hole	35 mm
Waste Hole	45 mm
Water Depth	110 mm



SUMMER BLUE 40 WASH BASIN

RB.SB4.01G104.01.05



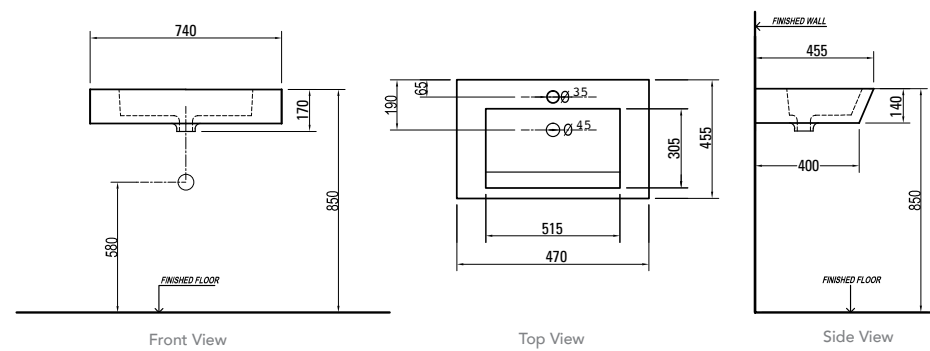
SUMMER BLUE X WASH BASIN

RB.SBX.01G104.01.11

TECHNICAL INFORMATION

** Approximate measurements for comparison only

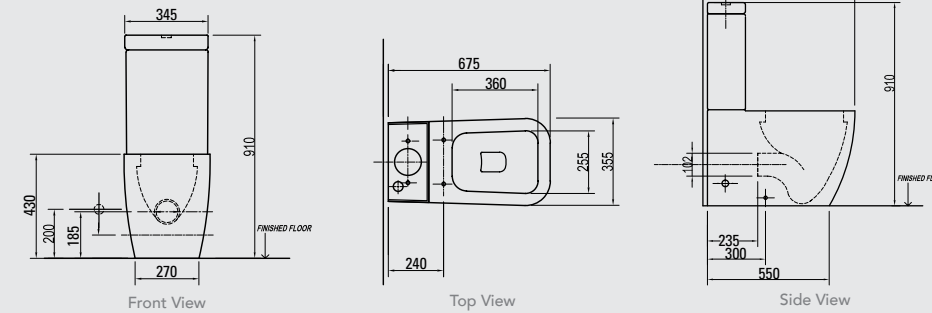
CONFIGURATION	VESSEL WASH BASIN
Weight	20.5 kg
Basin Area	515 x 305 x 115 mm
Height - Floor to Rim	850 mm
Nominal Dimensions	740 x 455 x 170 mm
Faucet Hole	35 mm
Waste Hole	45 mm
Water Depth	110 mm



TECHNICAL INFORMATION

** Approximate measurements for comparison only

CONFIGURATION	TWO PIECE, CLOSE COUPLED
Weight Per Flush	6L of water for solid waste and 3L of water for liquid waste
Water depth from rim	280 mm
Trap Diameter	97-102 mm
Distance from floor to waste outlet centre	190 mm
Distance between seat post hole centres	180 mm
Weight (WC+Tank)	(WC + WT) - 36+15.5 = 51.5 kg
Bowl Size	360 X 255 X 190 mm
Nominal Dimensions	675 X 355 X 910 mm



SUMMER BLUE WATER CLOSET

RB.SMB.03G119.01.10
RB.SMB.04G104.01.05
RB.TSB.0PA661.DU.01



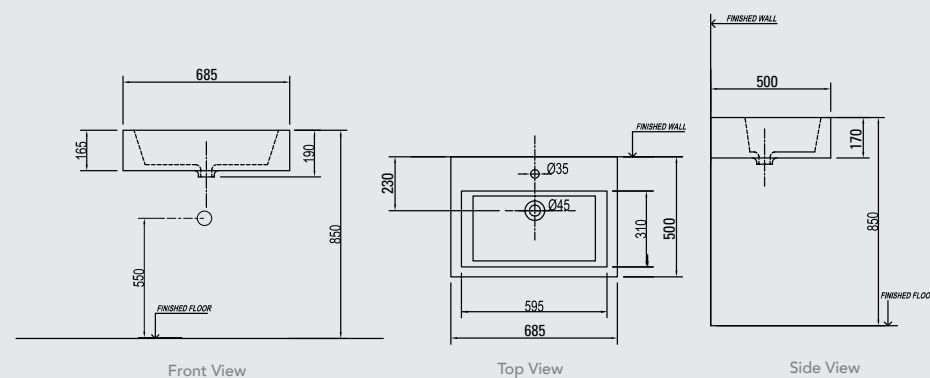
SUMMER BLUE 60 WASH BASIN

RB.SB6.01G101.01.10

TECHNICAL INFORMATION

** Approximate measurements for comparison only

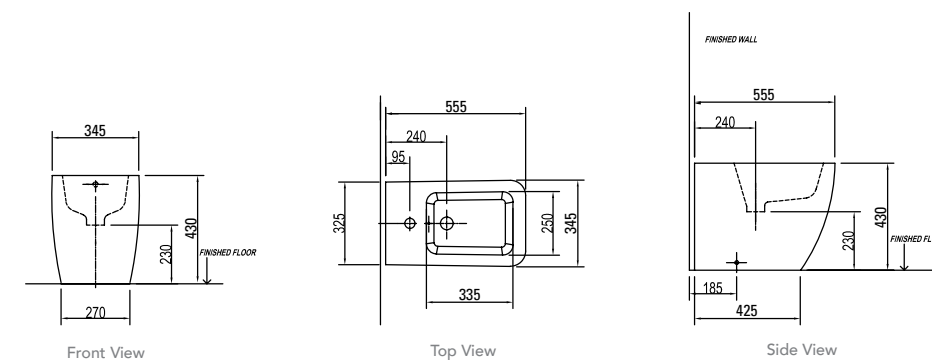
CONFIGURATION	VESSEL WASH BASIN
Weight	26 kg
Basin Area	595 x 310 x 140 mm
Height - Floor to Rim	850 mm
Nominal Dimensions	685 x 500 x 190 mm
Faucet Hole	35 mm
Waste Hole	45 mm
Water Depth	75 mm



TECHNICAL INFORMATION

** Approximate measurements for comparison only

CONFIGURATION	FLOOR STANDING BIDET
Weight	28 kg
Bowl Size	335 X 250 X 155 mm
Height - Floor to Rim	420 mm
Nominal Dimensions	555 x 345 x 430 mm
Faucet Hole	35 mm
Waste Hole	45 mm



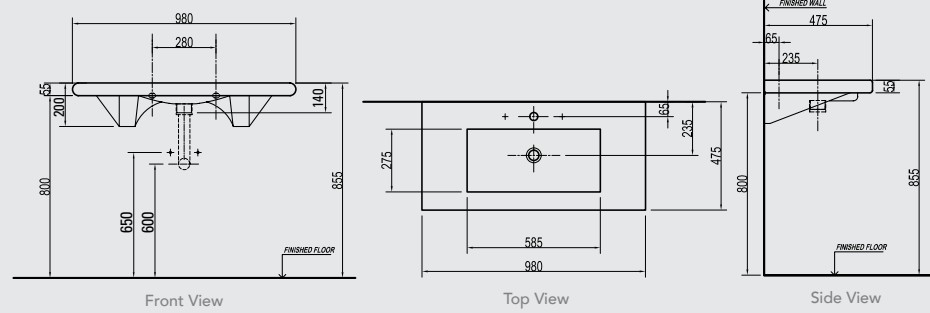
SUMMER BLUE BIDET

RB.SMB.05G104.01.07



FLO WASH BASIN

RB.FLO.01G104.01.16



TECHNICAL INFORMATION

** Approximate measurements for comparison only

CONFIGURATION	WALL HUNG WASH BASIN
Weight	26 kg
Basin Size	585 x 275 x 80 mm
Height - Floor to Rim	855 mm
Nominal Dimensions	980 x 475 x 200 mm
Faucet Hole	35 mm
Waste Hole	45 mm
Water Depth	80 mm

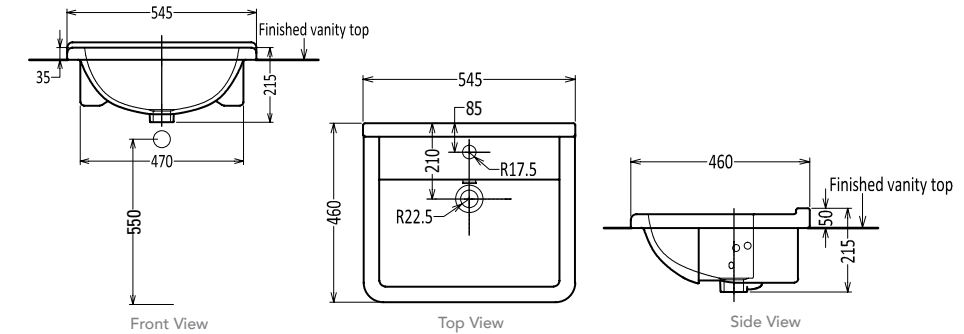
TECHNICAL INFORMATION

** Approximate measurements for comparison only

CONFIGURATION	SEMI COUNTER WASH BASIN
Weight	16.5 kg
Basin Area	470 x 270 x 150 mm
Height - Floor to Rim	850 mm
Nominal Dimensions	545 x 460 x 215 mm
Faucet Hole	35 mm
Waste Hole	45 mm
Water Depth	90 mm

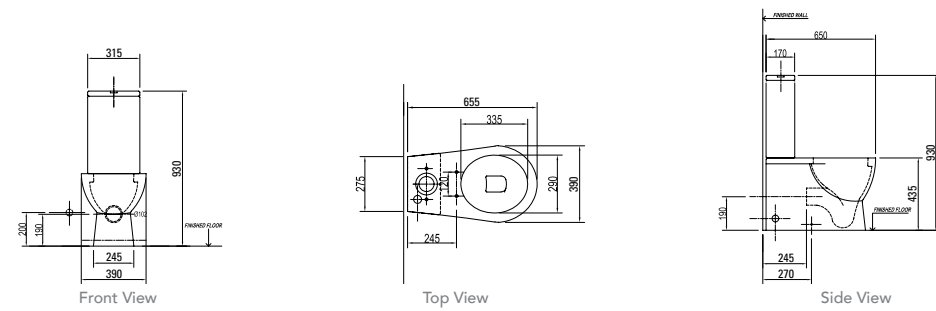
URBANITY WASH BASIN

RB.UNY.01G110.01.08



FLO WATER CLOSET

RB.FLO.03G119.01.10
RB.FLO.04G104.01.05
RB.TFL.0PA661.DU.01



TECHNICAL INFORMATION

** Approximate measurements for comparison only

CONFIGURATION	TWO PIECE, CLOSE COUPLED
Water per flush	6L of water for solid waste and 3L of water for liquid waste
Water depth from rim	280 mm
Trap diameter	97-102 mm
Distance from floor to waste outlet centre	190 mm
Distance between seat post hole centres	120 mm
Weight	(WC+Tank) 33 + 15 = 48 kg
Bowl size	335 x 290 x 215 mm
Nominal dimensions	655 x 390 x 435 mm

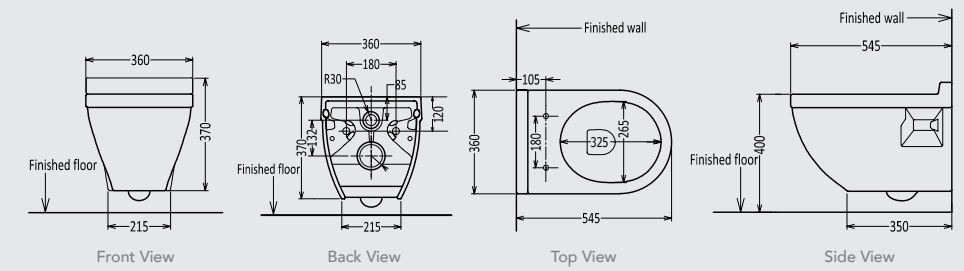
TECHNICAL INFORMATION

** Approximate measurements for comparison only

CONFIGURATION	WALL HUNG WATER CLOSET
Water per flush	6L of water for solid waste and 3L of water for liquid waste
Water depth from rim	205 mm
Trap Diameter	97-102 mm
Distance from floor to waste outlet centre	235 mm
Distance between seat post hole centres	210 mm
Weight (WC)	25 kg
Bowl Size	325 x 265 x 170 mm
Nominal Dimensions	545 x 360 x 370 mm

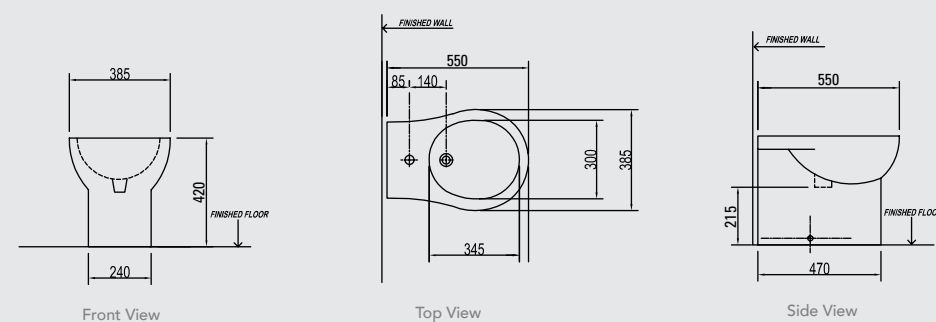
URBANITY WATER CLOSET

RB.UNY.03G109.01.08
RB.TUN.0PA661.DU.01



FLO BIDET

RB.FLO.05G104.01.07



TECHNICAL INFORMATION

** Approximate measurements for comparison only

CONFIGURATION	FLOOR STANDING BIDET
Weight	22.7 kg
Bowl Size	345 x 300 x 240 mm
Height - Floor to Rim	415 mm
Nominal Dimensions	540 x 385 x 415 mm
Faucet Hole	35 mm
Waste Hole	45 mm

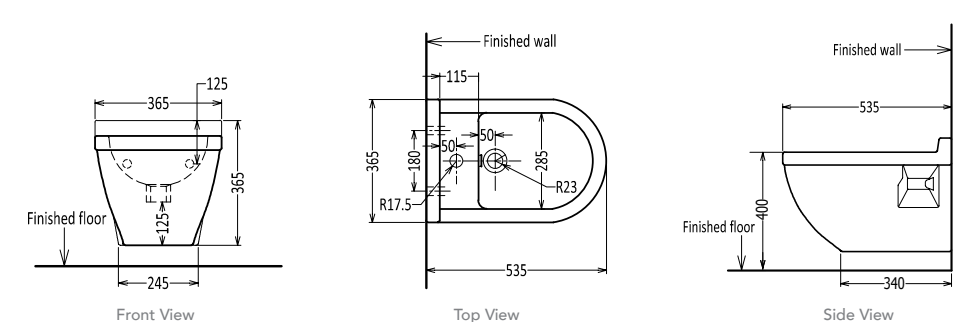
TECHNICAL INFORMATION

** Approximate measurements for comparison only

CONFIGURATION	WALL HUNG BIDET
Weight	21 kg
Bowl Size	345 x 280 x 150 mm
Height - Floor to Rim	415 mm
Nominal Dimensions	335 x 365 x 365 mm
Faucet Hole	35 mm
Waste Hole	45 mm

URBANITY BIDET

RB.UNY.05G107.01.07





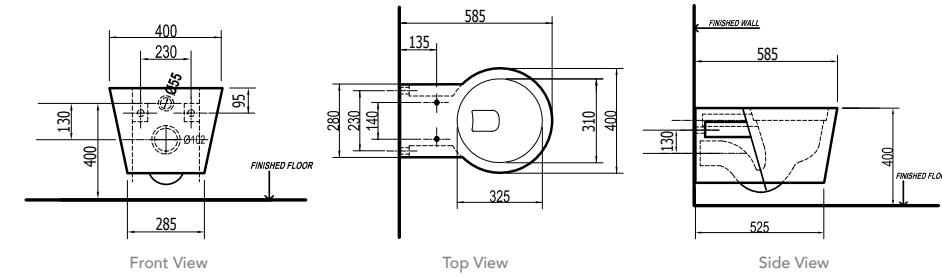
TECHNICAL INFORMATION

** Approximate measurements for comparison only

CONFIGURATION	WALL HUNG WATER CLOSET
Water per flush	6L of water for solid waste and 3L of water for liquid waste
Water depth from rim	215 mm
Trap Diameter	97-102 mm
Distance from floor to waste outlet centre	215 mm
Distance between seat post hole centres	140 mm
Weight (WC)	27.5 kg
Bowl Size	325 x 310 x 150 mm
Nominal Dimensions	585 x 400 x 360 mm

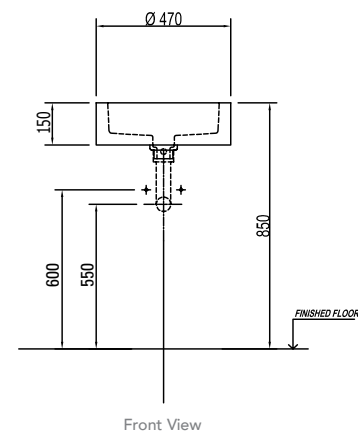
ETERNITY WATER CLOSET

RB.ETE.03G109.01.08
RB.TAB.0FS210.ME.PA
RB.TET.0PA661.DU.01



ETERNITY WASH BASIN

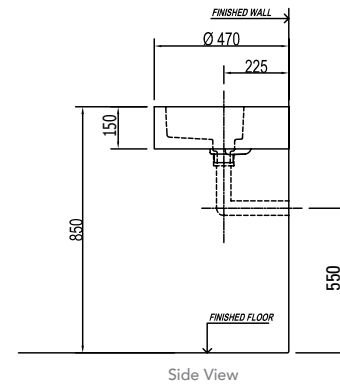
RB.ETE.01G101.01.06



TECHNICAL INFORMATION

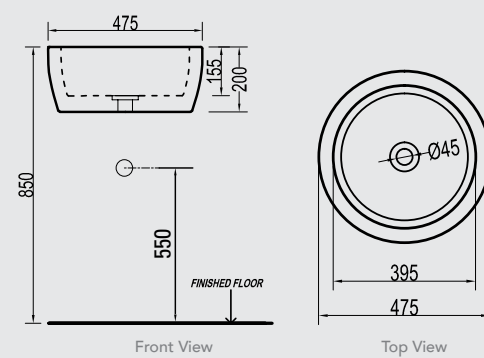
** Approximate measurements for comparison only

CONFIGURATION	VESSAL WASH BASIN
Weight	14 kg
Basin Area	395 x 290 x 105 mm
Height - Floor to Rim	850 mm
Nominal Dimensions	470 x 470 x 195 mm
Faucet Hole	35 mm
Waste Hole	45 mm
Water Depth	95 mm



ETERNITY O WASH BASIN

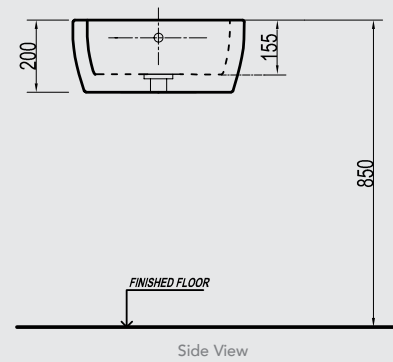
RB.ETO.01G107.01.06



TECHNICAL INFORMATION

** Approximate measurements for comparison only

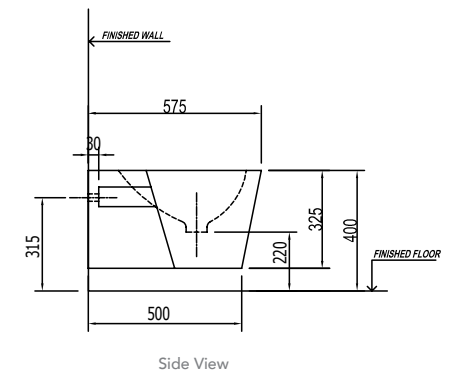
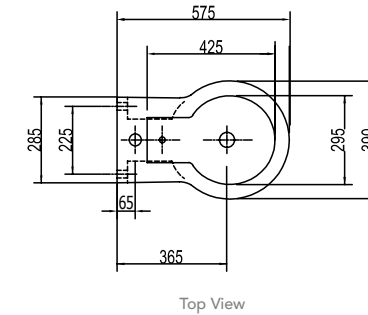
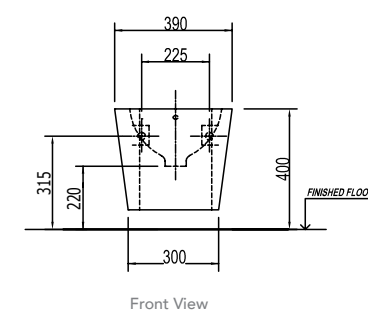
CONFIGURATION	VESSEL WASH BASIN
Weight	17.5 kg
Basin Area	395 X 395 X 155 mm
Height - Floor to Rim	850 mm
Nominal Dimensions	475 x 475 x 200 mm
Waste Hole	45 mm
Water Depth	105 mm



TECHNICAL INFORMATION

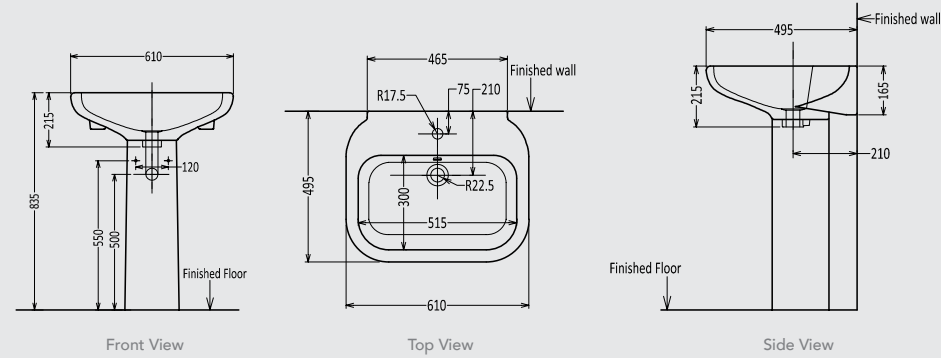
** Approximate measurements for comparison only

CONFIGURATION	WALL HUNG BIDET
Weight	22 kg
Bowl Size	425 x 295 x 135 mm
Height - Floor to Rim	400 mm
Nominal Dimensions	575 x 390 x 325 mm
Faucet Hole	35 mm
Waste Hole	45 mm



AQUA+ WASH BASIN

RB.AQP.01G101.01.09
RB.CEA.02G102.01.09



TECHNICAL INFORMATION

** Approximate measurements for comparison only

CONFIGURATION	WASH BASIN WITH PEDESTAL
Weight (basin + pedestal)	(WB + PD) - 18.5+11.5 = 30 kg
Basin Area	515 x 300 x 160 mm
Height - Floor to Rim	825 mm
Nominal Dimensions	610 x 495 x 835 mm
Faucet Hole	35 mm
Waste Hole	45 mm
Water Depth	100 mm

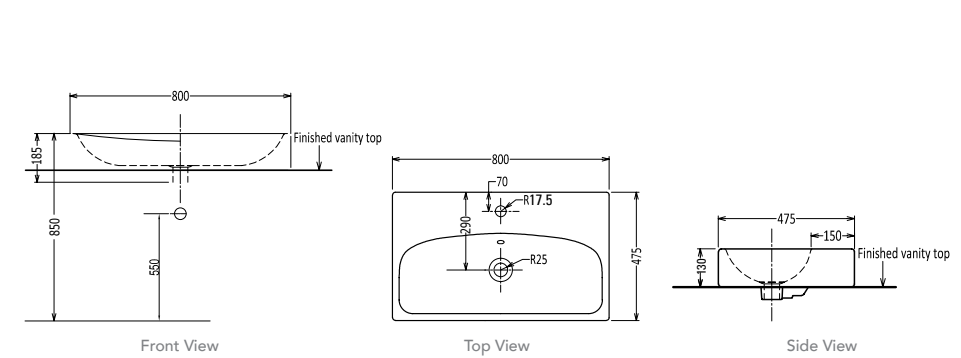
TECHNICAL INFORMATION

** Approximate measurements for comparison only

CONFIGURATION	VESSEL WASH BASIN
Weight	22.5 kg
Basin Area	735 X 300 X 125 mm
Height - Floor to Rim	850 mm
Nominal Dimensions	800 X 475 X 175 mm
Waste Hole	45 mm
Water depth	70 mm

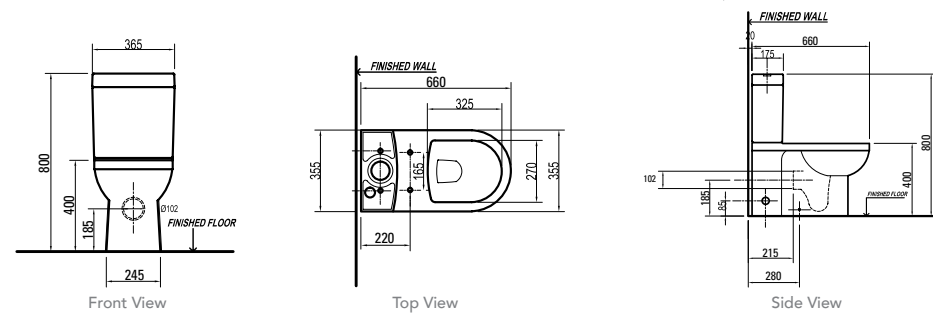
RIVIERA 80 WASH BASIN

RB.RV8.01G101.01.12



AQUA+ WATER CLOSET

RB.AQP.03G119.01.09
RB.CEA.04G104.01.04
RB.TEA.0PA661.DU.01



TECHNICAL INFORMATION

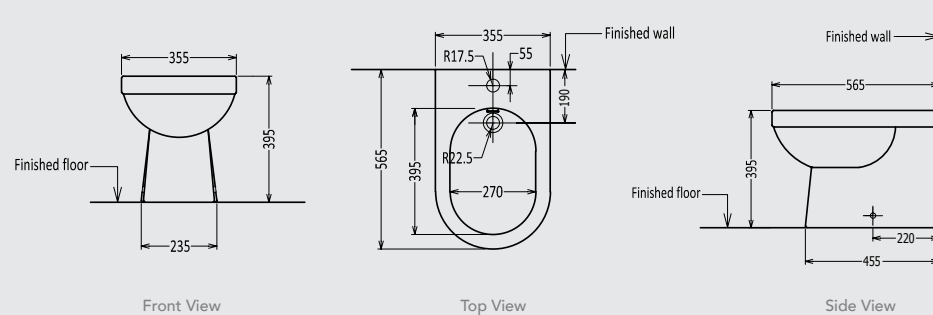
** Approximate measurements for comparison only

CONFIGURATION	TWO PIECE, CLOSE COUPLED
Water per flush	6L of water for solid waste and 3L of water for liquid waste
Water depth from rim	260 mm
Trap Diameter	97-102 mm
Distance from floor to waste outlet centre	185 mm
Distance between seat post hole centres	165 mm
Weight (WC + tank)	(WC + WT) - 30.5+14.5 = 45 kg
Bowl Size	325 x 270 x 175 mm
Nominal Dimensions	660 x 355 x 800 mm



AQUA+ BIDET

RB.AQP.05G104.01.04



TECHNICAL INFORMATION

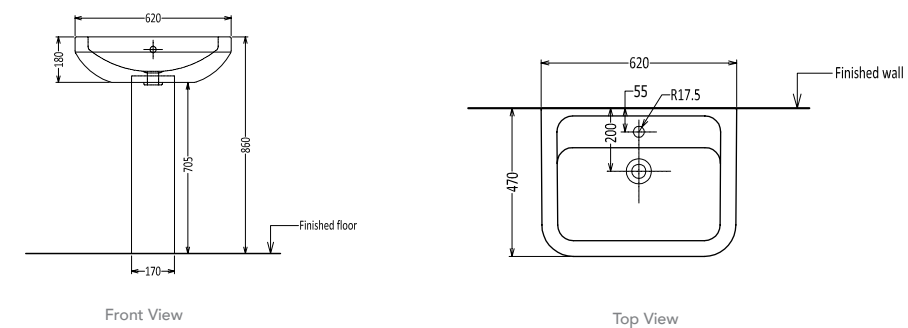
** Approximate measurements for comparison only

CONFIGURATION	FLOOR STANDING BIDET
Weight	22 kg
Bowl Size	395 x 270 x 150 mm
Height - Floor to Rim	395 mm
Nominal Dimensions	565 x 355 x 395 mm
Faucet Hole	35 mm
Waste Hole	45 mm

TECHNICAL INFORMATION

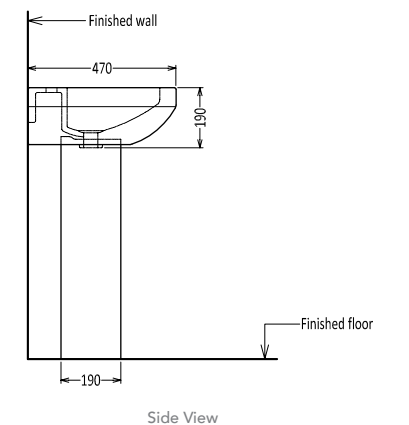
** Approximate measurements for comparison only

CONFIGURATION	WASH BASIN WITH PEDESTAL
Weight (basin + pedestal)	17 + 11 = 28 kg
Basin Area	520 X 295 X 145 mm
Height - Floor to Rim	860 mm
Nominal Dimensions	620 X 470 X 190 mm
Waste Hole	45 mm
Water depth	85 mm



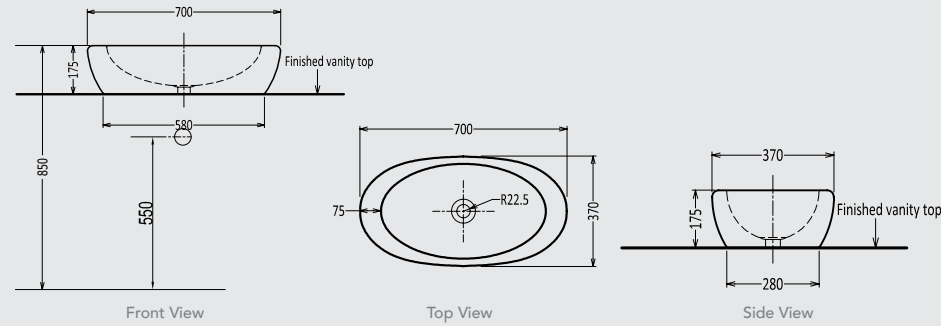
RIVIERA 610 WASH BASIN

RB.RV6.01G101.01.09
RB.RV6.02G10B.01.11



RIVIERA WASH BASIN

RB.RV6.01G101.01.09
RB.RV6.02G102.01.11



TECHNICAL INFORMATION

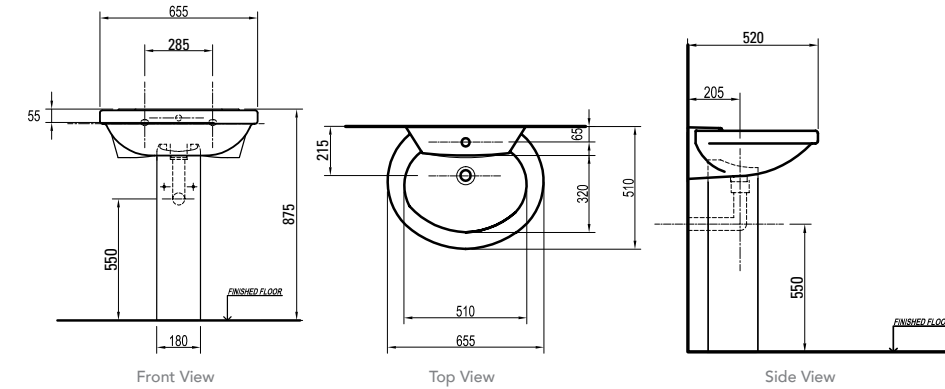
** Approximate measurements for comparison only

CONFIGURATION	VESSEL WASH BASIN
Weight	14 kg
Basin Area	550 X 315 X 125 mm
Height - Floor to Rim	850 mm
Nominal Dimensions	700 X 370 X 175 mm
Waste Hole	45 mm
Water depth	125 mm

TECHNICAL INFORMATION

** Approximate measurements for comparison only

CONFIGURATION	WASH BASIN WITH PEDESTAL
Weight (basin + pedestal)	(WB + PD) - 17.5+ 11.5 = 29 kg
Basin Area	510 x 320 x 155mm
Height - Floor to Rim	870 mm
Nominal Dimensions	655 x 510 x 870 mm
Faucet Hole	35 mm
Waste Hole	45 mm
Water Depth	100 mm



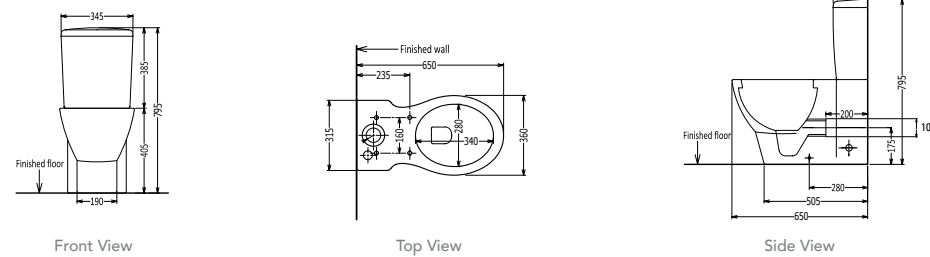
INTENSE WASH BASIN

RB.INS.01G101.01.10
RB.INS.02G102.01.11



RIVIERA WATER CLOSET

RB.RVR.03G119.01.10
RB.RVR.04G104.01.04
RB.TGN.0PA660.DU.01



TECHNICAL INFORMATION

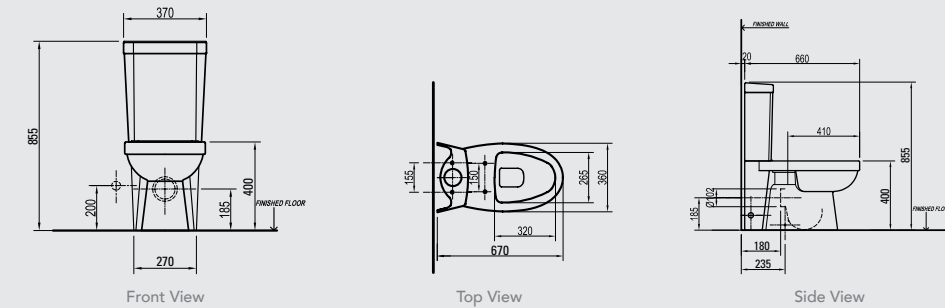
** Approximate measurements for comparison only

CONFIGURATION	TWO PIECE, CLOSE COUPLED
Water per flush	4.5 L of water for solid waste and 3L of water for liquid waste
Water depth from rim	275 mm
Trap Diameter	97-102 mm
Distance from floor to waste outlet centre	175 mm
Distance between seat post hole centres	160mm
Weight (WC + Tank)	(WC + WT) - 31+12 = 43 kg
Bowl Size	345 x 280 x 165 mm
Nominal Dimensions	650 x 360 x 795 mm

TECHNICAL INFORMATION

** Approximate measurements for comparison only

CONFIGURATION	TWO PIECE, CLOSE COUPLED
Water per flush	6L of water for solid waste and 3L of water for liquid waste
Water depth from rim	250 mm
Trap Diameter	97-102 mm
Distance from floor to waste outlet centre	185 mm
Distance between seat post hole centres	150 mm
Weight (WC + tank)	(WC + WT) - 29.5+14 = 43.5 kg
Bowl Size	320 x 265 x 190 mm
Nominal Dimensions	670 x 370 x 855 mm



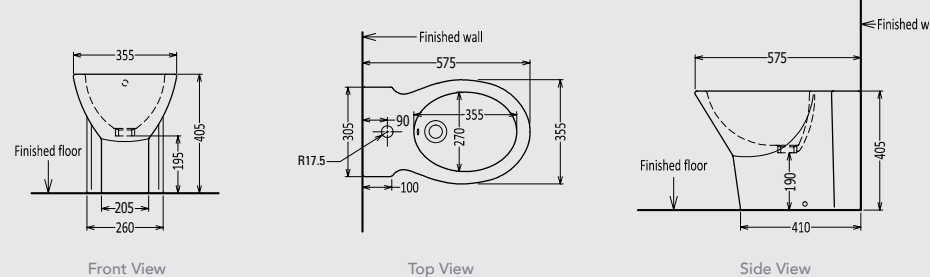
INTENSE WATER CLOSET

RB.INS. 03G119.01.10
RB.INS.04G104.01.05
RB.TIN.0PA661.DU.01



RIVIERA BIDET

RB.RVR.05G104.01.08



TECHNICAL INFORMATION

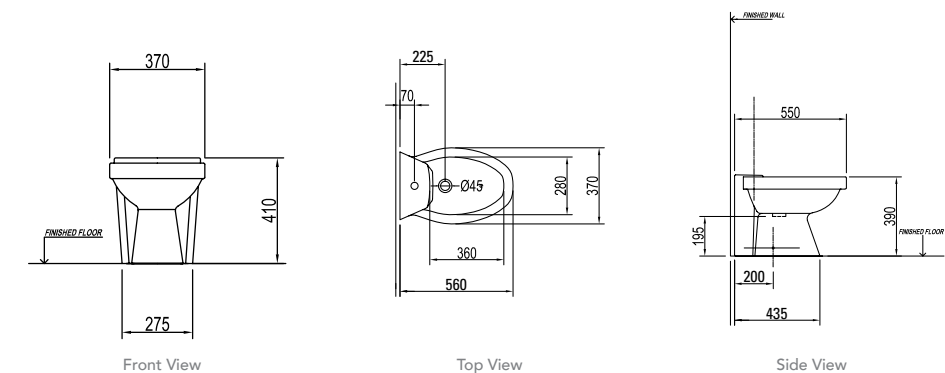
** Approximate measurements for comparison only

CONFIGURATION	FLOOR STANDING BIDET
Weight	22 kg
Bowl Size	360 x 260 x 170 mm
Height - Floor to Rim	400 mm
Nominal Dimensions	570 x 352 x 402 mm
Faucet Hole	35 mm
Waste Hole	45 mm

TECHNICAL INFORMATION

** Approximate measurements for comparison only

CONFIGURATION	FLOOR STANDING BIDET
Weight	22 kg
Bowl Size	360 x 280 x 150 mm
Height - Floor to Rim	390 mm
Nominal Dimensions	560 x 370 x 410 mm
Faucet Hole	35 mm
Waste Hole	45 mm



INTENSE BIDET

RB.INS.05G104.01.08





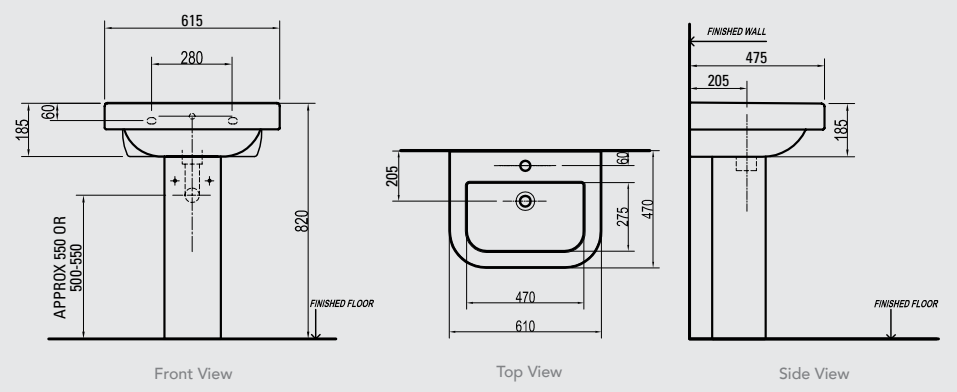
ELEMENTS AQUA WASH BASIN

RB.EAQ.01G101.01.09
RB.CEA.02G102.01.09

TECHNICAL INFORMATION

** Approximate measurements for comparison only

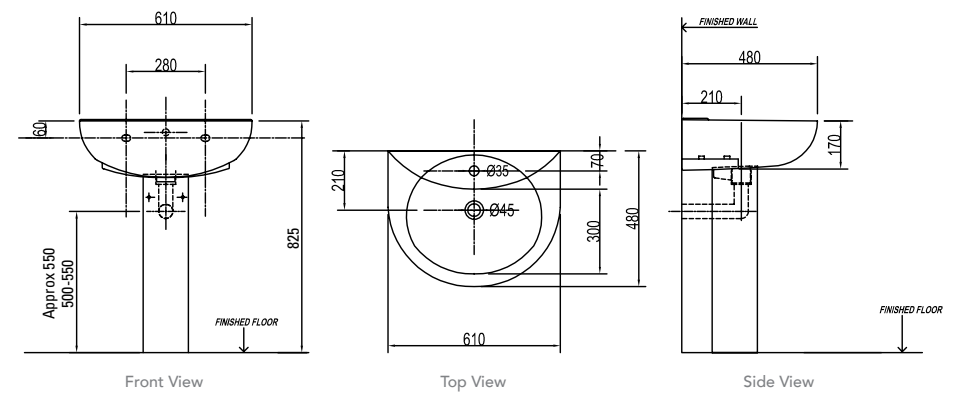
CONFIGURATION	WASH BASIN WITH PEDESTAL
Weight (basin + pedestal)	(WB + PD) - 20+11.5 = 31.5 kg
Basin Area	470 x 275 x 165 mm
Height - Floor to Rim	820 mm
Nominal Dimensions	615 x 475 x 820 mm
Faucet Hole	35 mm
Waste Hole	45 mm
Water Depth	110 mm



TECHNICAL INFORMATION

** Approximate measurements for comparison only

CONFIGURATION	WASH BASIN WITH PEDESTAL
Weight (basin + pedestal)	16 + 10 = 26 kg
Basin Area	475 x 300 x 150 mm
Height - Floor to Rim	820 mm
Nominal Dimensions	610 x 480 x 820 mm
Faucet Hole	35 mm
Waste Hole	45 mm
Water Depth	95 mm



DUNE WASH BASIN

RB.DUN.01G101.01.09
RB.CDU.02G102.01.10



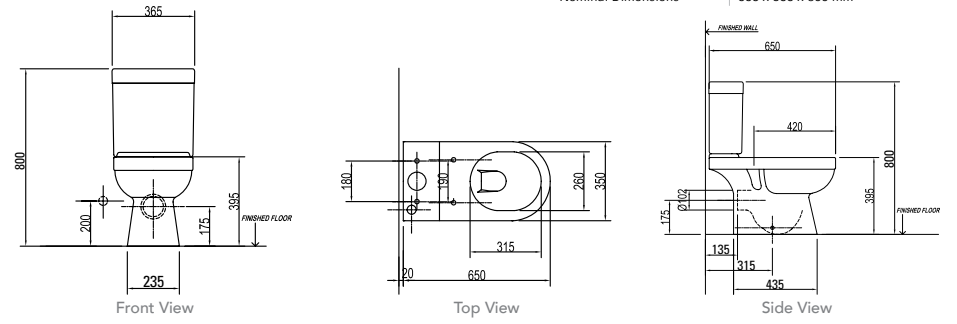
ELEMENTS AQUA WATER CLOSET

RB.EAQ.03G112.01.09
RB.CEA.04G104.01.04
RB.TEA.0PA661.DU.01

TECHNICAL INFORMATION

** Approximate measurements for comparison only

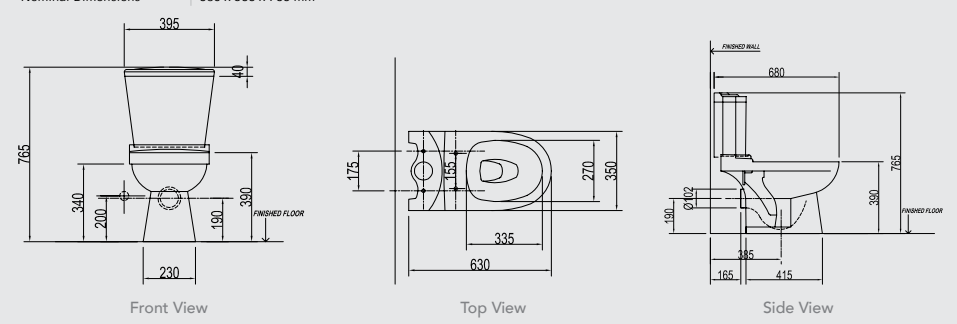
CONFIGURATION	TWO PIECE, CLOSE COUPLED
Water per flush	6L of water for solid waste and 3L of water for liquid waste
Water depth from rim	255 mm
Trap Diameter	97-102 mm
Distance from floor to waste outlet centre	175 mm
Distance between seat post hole centres	190 mm
Weight (WC + Tank)	(WC + WT) - 29+14.5 = 43.5 kg
Bowl Size	315 x 260 x 195 mm
Nominal Dimensions	665 x 365 x 800 mm



TECHNICAL INFORMATION

** Approximate measurements for comparison only

CONFIGURATION	TWO PIECE, CLOSE COUPLED
Water per flush	6L of water for solid waste and 3L of water for liquid waste
Water depth from rim	226 mm
Trap Diameter	97-102 mm
Distance from floor to waste outlet centre	190 mm
Distance between seat post hole centres	155 mm
Weight (WC + Tank)	(WC + WT) - 22.5+12 = 34.5 kg
Bowl Size	335 x 270 x 220 mm
Nominal Dimensions	680 x 395 x 765 mm



DUNE WATER CLOSET

RB.DUN.03G112.01.09
RB.DUN.04G104.01.04
RB.TDU.0PA661.PP.01



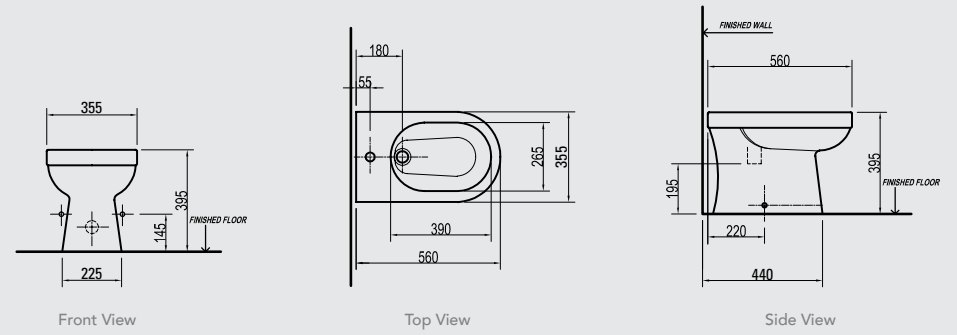
ELEMENTS AQUA BIDET

RB.EAQ.05G101.01.08

TECHNICAL INFORMATION

** Approximate measurements for comparison only

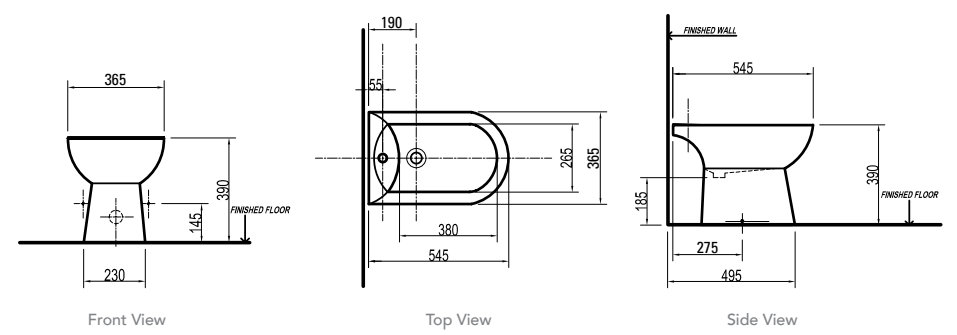
CONFIGURATION	FLOOR STANDING BIDET
Weight	21.8 kg
Bowl Size	390 x 265 x 150 mm
Height - Floor to Rim	395 mm
Nominal Dimensions	560 x 355 x 395 mm
Faucet Hole	35 mm
Waste Hole	45 mm



TECHNICAL INFORMATION

** Approximate measurements for comparison only

CONFIGURATION	FLOOR STANDING BIDET
Weight	18 kg
Bowl Size	380 x 265 x 150 mm
Height - Floor to Rim	390 mm
Nominal Dimensions	545 x 360 x 390 mm
Faucet Hole	35 mm
Waste Hole	45 mm



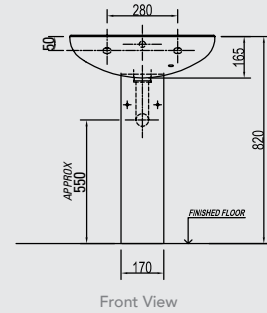
DUNE BIDET

RB.CDU.05G101.01.08

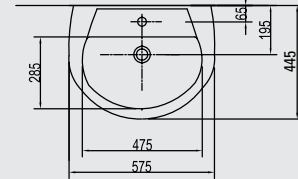


URBAN D WASH BASIN

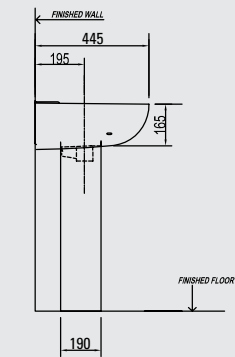
RB.URD.01G101.01.08
RB.CDU.02G102.01.10



Front View



Top View



Side View

TECHNICAL INFORMATION

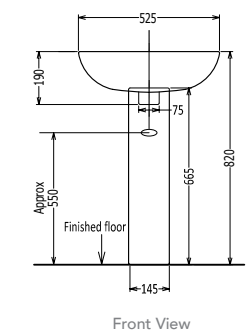
** Approximate measurements for comparison only

CONFIGURATION	WASH BASIN WITH PEDESTAL
Weight (basin + pedestal)	(WB + PD) - 14.5+10.5 = 25 kg
Basin Area	475 x 285 x 150 mm
Height - Floor to Rim	820 mm
Nominal Dimensions	575 x 445 x 820 mm
Faucet Hole	35 mm
Waste Hole	45 mm
Water Depth	90 mm

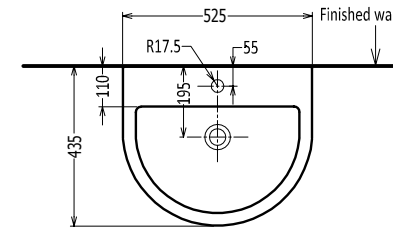
TECHNICAL INFORMATION

** Approximate measurements for comparison only

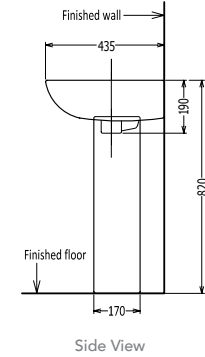
CONFIGURATION	WASH BASIN WITH PEDESTAL
Weight (basin + pedestal)	(WB + PD) - 12.5+10.5 = 23 kg
Basin Area	450 x 290 x 135 mm
Height - Floor to Rim	800 mm
Nominal Dimensions	525 x 435 x 820 mm
Faucet Hole	35 mm
Waste Hole	45 mm
Water Depth	130 mm



Front View



Top View



Side View



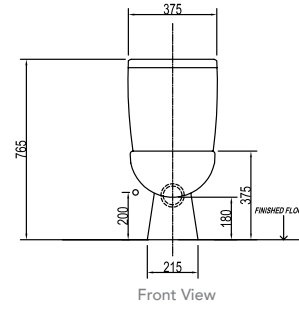
EFI WASH BASIN

RB.EFI.01G101.01.07
RB.CEF.02G102.01.10

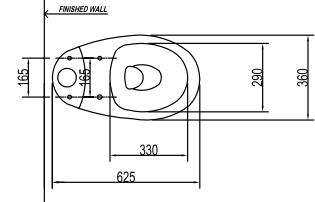


URBAN D WATER CLOSET

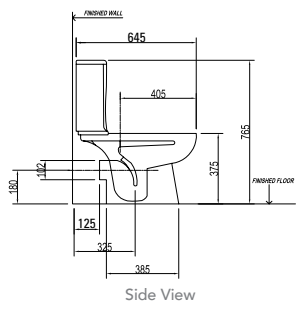
RB.URD.RB.URD.03G112.01.0
RB.URD.RB.URD.04G104.01.04
RB.TUD.0PA661.PP.01



Front View



Top View



Side View

TECHNICAL INFORMATION

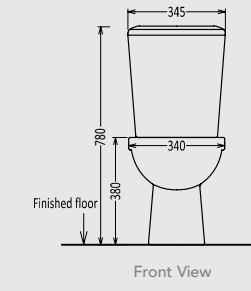
** Approximate measurements for comparison only

CONFIGURATION	TWO PIECE, CLOSE COUPLED
Water per flush	6L of water for solid waste and 3L of water for liquid waste
Water depth from rim	230 mm
Trap Diameter	97-102 mm
Distance from floor to waste outlet centre	180 mm
Distance between seat post hole centres	165 mm
Weight (wc + tank)	18 + 13 = 31 kg
Bowl Size	330 x 290 x 180 mm
Nominal Dimensions	645 x 375 x 765 mm

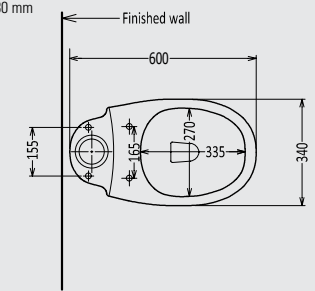
TECHNICAL INFORMATION

** Approximate measurements for comparison only

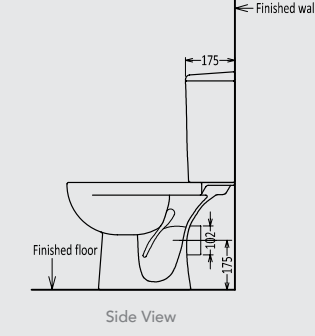
CONFIGURATION	TWO PIECE, CLOSE COUPLED
Water per flush	6L of water for solid waste and 3L of water for liquid waste
Water depth from rim	230 mm
Trap Diameter	97-102 mm
Distance from floor to waste outlet centre	175 mm
Distance between seat post hole centres	165 mm
Weight (WC + Tank)	(WC + WT) - 17.5+10.5 = 28 kg
Bowl Size	335 x 270 x 165 mm
Nominal Dimensions	600 x 345 x 780 mm



Front View



Top View



Side View



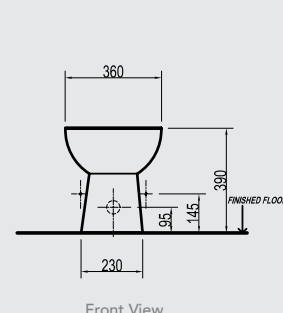
EFI WATER CLOSET

RB.EFI.03G112.01.08
RB.EFI.04G104.01.04
RB.TEF.0PA662.PP.01

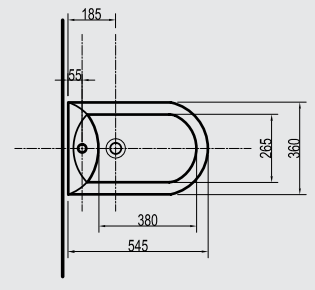


URBAN D BIDET

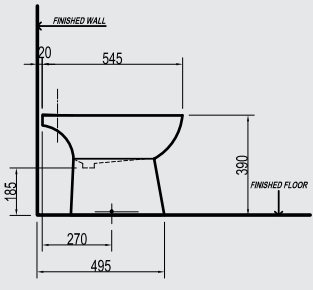
RB.CDU.05G101.01.08



Front View



Top View



Side View

TECHNICAL INFORMATION

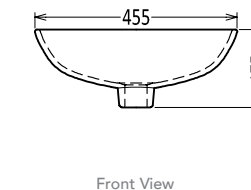
** Approximate measurements for comparison only

CONFIGURATION	FLOOR STANDING BIDET
Weight	18 kg
Bowl Size	380 x 265 x 150 mm
Height - Floor to Rim	390 mm
Nominal Dimensions	545 x 360 x 390 mm
Faucet Hole	35 mm
Waste Hole	45 mm

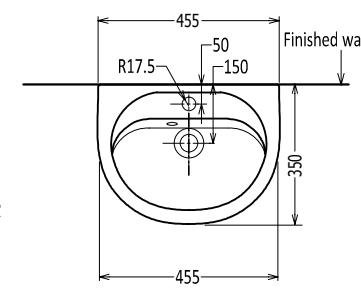
TECHNICAL INFORMATION

** Approximate measurements for comparison only

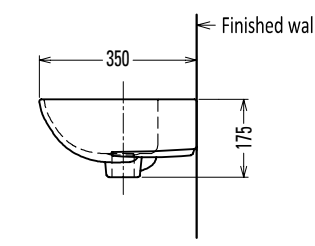
CONFIGURATION	WALL MOUNTED WASH BASIN
Weight	9 kg
Bowl Size	380 x 225 x 115 mm
Height - Floor to Rim	850 mm
Nominal Dimensions	455 x 350 x 175 mm
Faucet Hole	35 mm
Waste Hole	45 mm
Water Depth	70 mm



Front View



Top View



Side View



EFI MINI WASH BASIN

RB.EFM.01G101.01.07



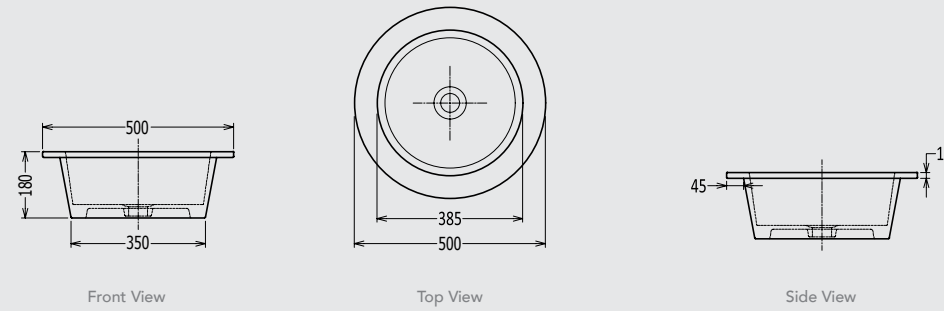
ARTISAN BLEU

RB.ARB.01M107.15.07

TECHNICAL INFORMATION

** Approximate measurements for comparison only

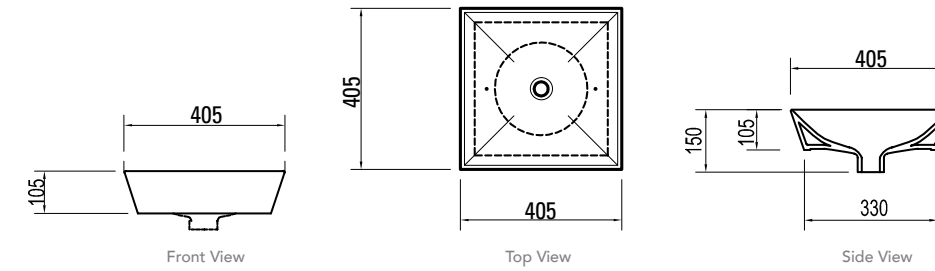
CONFIGURATION	FLOOR STANDING WASH BASIN
Weight	10.5 kg
Basin Area	385 X 380 X 150 mm
Height - Floor to Rim	
Nominal Dimensions	500 X 500 X 180 mm
Faucet Hole	
Waste Hole	45 mm
Water Depth	150 mm



TECHNICAL INFORMATION

** Approximate measurements for comparison only

CONFIGURATION	VESSEL WASH BASIN
Weight (Basin)	8 kg
Weight of Ceramic table	23 kg
Basin Area	375 x 375 x 105 mm
Ceramic table size	1200 x 495 x 45 mm
Nominal Dimensions	405 x 405 x 150 mm
Height - Floor to Rim	850mm
Waste Hole	45mm
Water Depth	105 mm



AQUA CUBE

RB.AQC.01G107.01.04

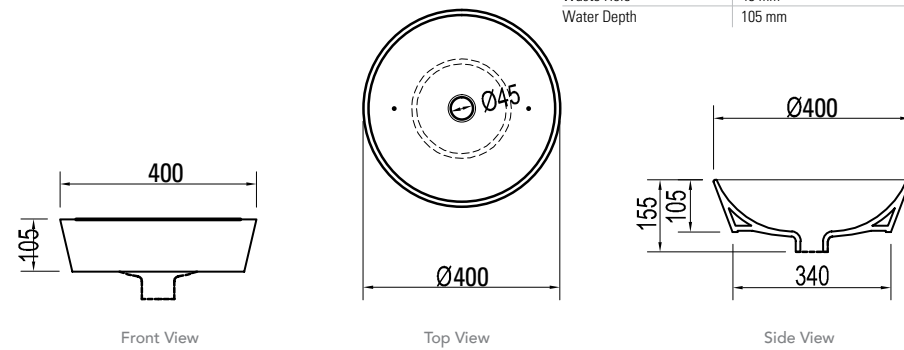
AQUA ARC WASH BASIN

RB.AQA.01G107.01.04

TECHNICAL INFORMATION

** Approximate measurements for comparison only

CONFIGURATION	VESSEL WASH BASIN
Weight (Basin)	7 kg
Weight of Half pedestal	4.5 kg
Weight of Ceramic table	23 kg
Basin Area	375 x 375 x 105 mm
Half pedestal size	315 x 315 x 200 mm
Ceramic table size	1200 x 500 x 45 mm
Height - Floor to Rim	850 mm
Nominal Dimensions	400 x 400 x 155 mm
Waste Hole	45 mm
Water Depth	105 mm



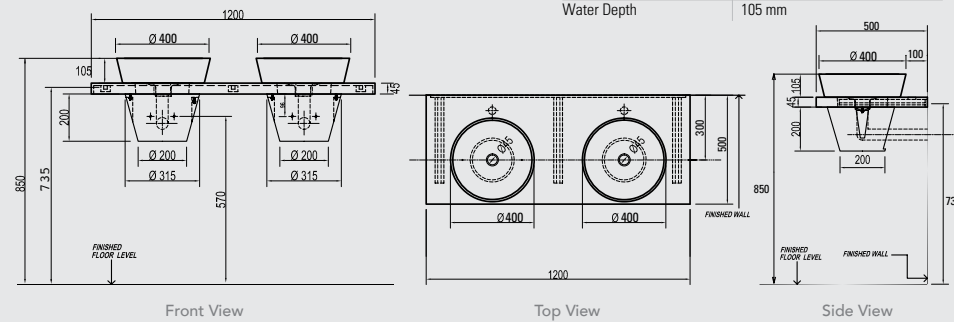
AQUA ARC WITH CERAMIC TABLE

RB.CET.06G100.01.20
RB.AQA.01G107.01.04
RB.AQA.02G101.01.02

TECHNICAL INFORMATION

** Approximate measurements for comparison only

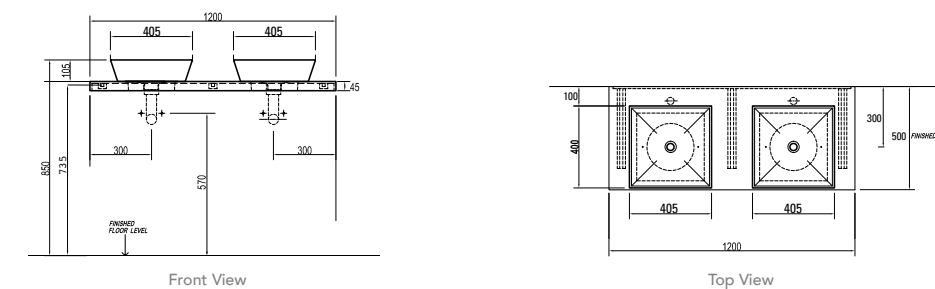
CONFIGURATION	VESSEL WASH BASIN WITH CERAMIC TABLE
Weight (Basin)	6.5 kg
Weight of Half pedestal	4.5 kg
Weight of Ceramic table	23 kg
Basin Area	400 x 400 x 155 mm
Half pedestal size	315 x 315 x 200 mm
Ceramic table size	1200 x 500 x 45 mm
Height - Floor to Rim	850 mm
Basin Dimensions	395 x 395 x 105 mm
Waste Hole	45 mm
Water Depth	105 mm



TECHNICAL INFORMATION

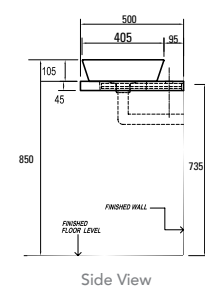
** Approximate measurements for comparison only

CONFIGURATION	VESSEL WASH BASIN WITH CERAMIC TABLE
Weight (Basin)	8 kg
Weight of Ceramic table	23 kg
Basin Area	375 x 375 x 105 mm
Ceramic table size	1200 x 495 x 45 mm
Basin size	405 x 405 x 155 mm
Height - Floor to Rim	850 mm
Waste Hole	45mm
Water Depth	105 mm



AQUA CUBE WITH CERAMIC TABLE

RB.AQC.01G107.01.04
RB.CET.06G100.01.20



Scale - 1 : 20

Scale - 1 : 20

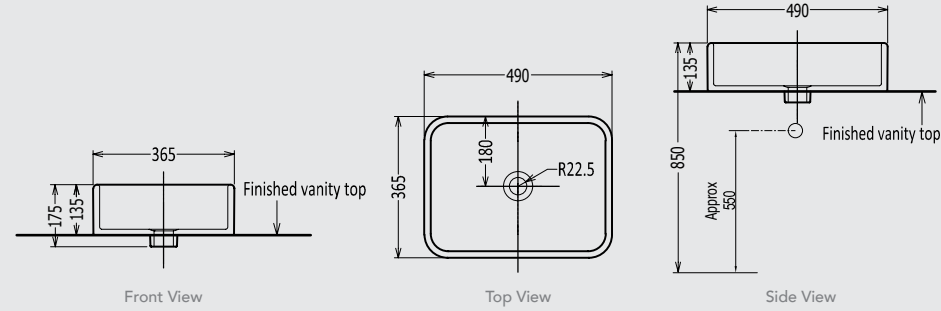
AQUA MARQUE WASH BASIN

RB.AMQ.01G107.01.07

TECHNICAL INFORMATION

** Approximate measurements for comparison only

CONFIGURATION	VESSEL WASH BASIN
Weight	11.5 kg
Basin Area	455 x 330 x 125 mm
Height - Floor to Rim	850 mm
Nominal Dimensions	490 X 365 X 175 mm
Waste Hole	45 mm
Water Depth	122 mm



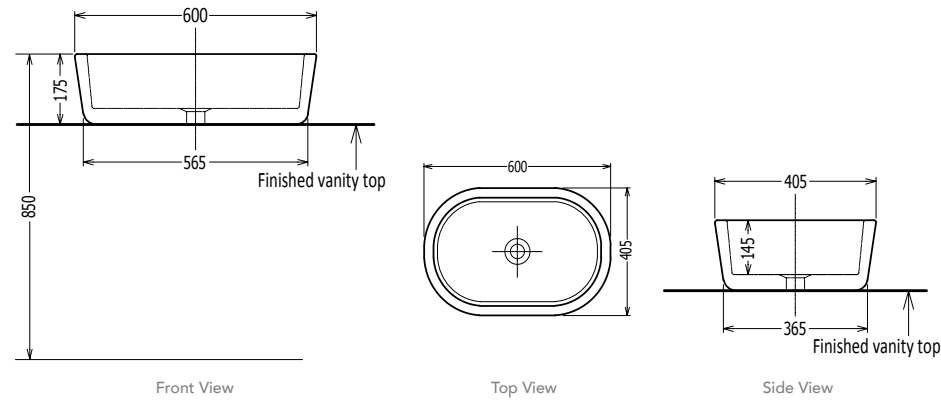
CAPSULE WASH BASIN

RB.CPS.01G107.09

TECHNICAL INFORMATION

** Approximate measurements for comparison only

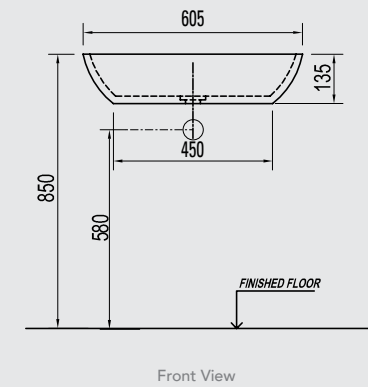
CONFIGURATION	VANITY TOP WASH BASIN
Weight	17 kg
Basin Area	535 X 340 X 145 mm
Height - Floor to Rim	850 mm
Nominal Dimensions	600 X 405 X 175 mm
Waste Hole	45 mm
Water Depth	140 mm



TECHNICAL INFORMATION

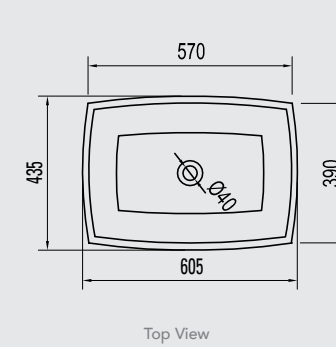
** Approximate measurements for comparison only

CONFIGURATION	VANITY TOP WASH BASIN
Weight	12.5 kg
Basin Area	565 X 395 X 110 mm
Height - Floor to Rim	850 mm
Nominal Dimensions	605 X 435 X 135 mm
Waste Hole	45 mm
Water Depth	110 mm



ECLIPSE WASH BASIN

RB.ECL.01G107.01.08



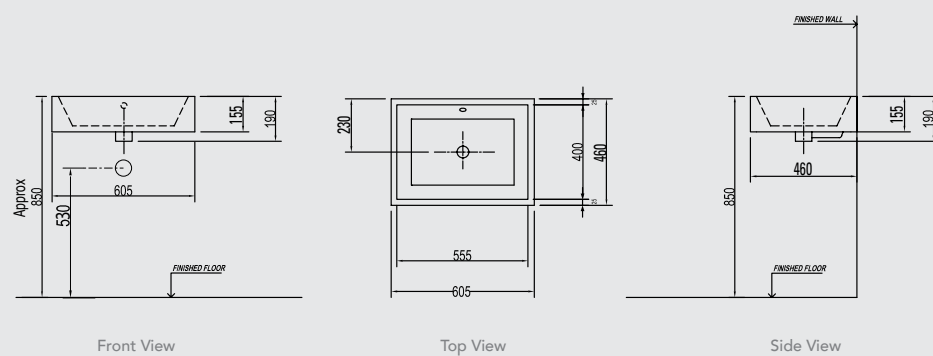
AQUA TANK WASH BASIN

RB.AQT.01G107.01.09

TECHNICAL INFORMATION

** Approximate measurements for comparison only

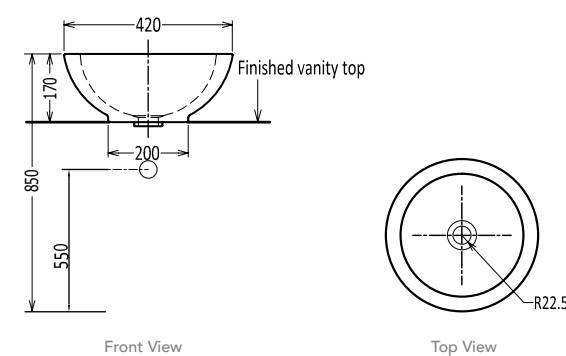
CONFIGURATION	VESSEL WASH BASIN
Weight	20 kg
Basin Area	555 X 400 X 140 mm
Height - Floor to Rim	850 mm
Nominal Dimensions	605 X 460 X 190 mm
Waste Hole	45 mm
Water Depth	95 mm



TECHNICAL INFORMATION

** Approximate measurements for comparison only

CONFIGURATION	VESSEL WASH BASIN
Weight	9 kg
Basin Area	340 X 340 X 135 mm
Height - Floor to Rim	850 mm
Nominal Dimensions	420 X 420 X 180 mm
Waste Hole	45 mm
Water Depth	130 mm



ELAN WASH BASIN

RB.ELN.01G107.01.05



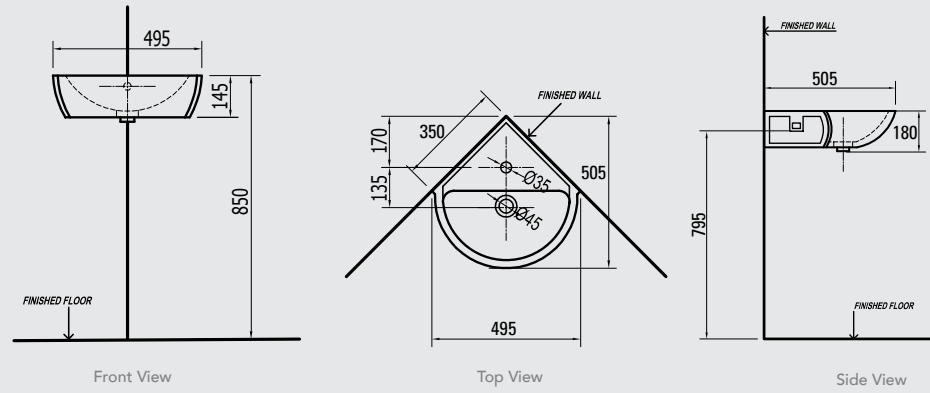
AQUA CORNER WASH BASIN

RB.ACO.01G101.01.06

TECHNICAL INFORMATION

** Approximate measurements for comparison only

CONFIGURATION	WALL HUNG WASH BASIN
Weight	11 kg
Basin Area	385 x 235 x 110 mm
Height - Floor to Rim	850 mm
Nominal Dimensions	495 x 505 x 180 mm
Faucet Hole	35 mm
Waste Hole	45 mm
Water Depth	65 mm



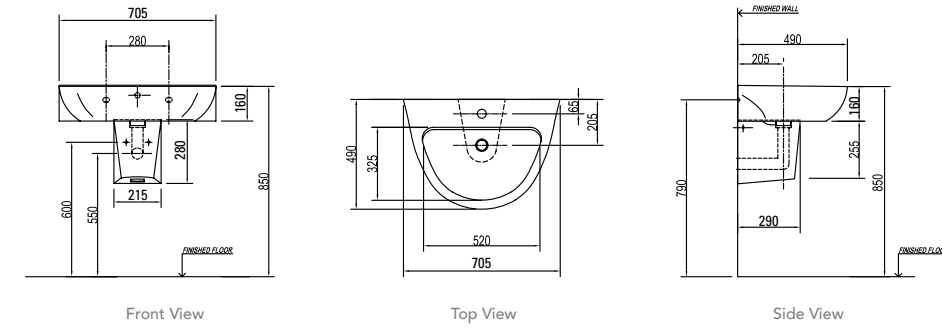
TECHNICAL INFORMATION

** Approximate measurements for comparison only

CONFIGURATION	VANITY TOP WASH BASIN
Weight	16 kg
Basin Area	520 X 325 X 140 mm
Height - Floor to Rim	850 mm
Nominal Dimensions	705 X 490 X 195 mm
Waste Hole	45 mm
Water Depth	95 mm

DEW POINT WASH BASIN

RB.DWP.01G101.01.11
RB.DWP.02G101.01.02



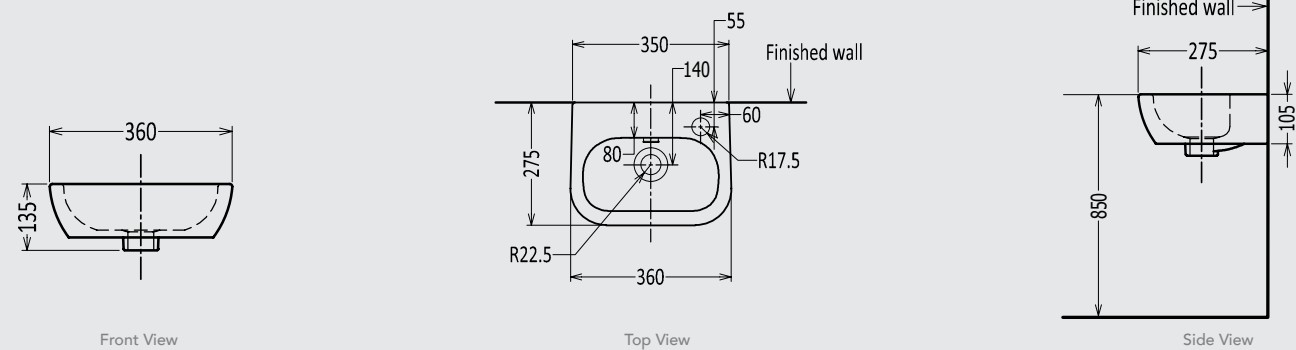
AQUA MINI

RB.AQM.01G101.01.05

TECHNICAL INFORMATION

** Approximate measurements for comparison only

CONFIGURATION	WALL HUNG WASH BASIN
Weight	7 kg
Basin Area	300 x 160 x 90 mm
Height - Floor to Rim	850 mm
Nominal Dimensions	360 x 275 x 135 mm
Faucet Hole	35 mm
Waste Hole	45 mm
Water Depth	45 mm



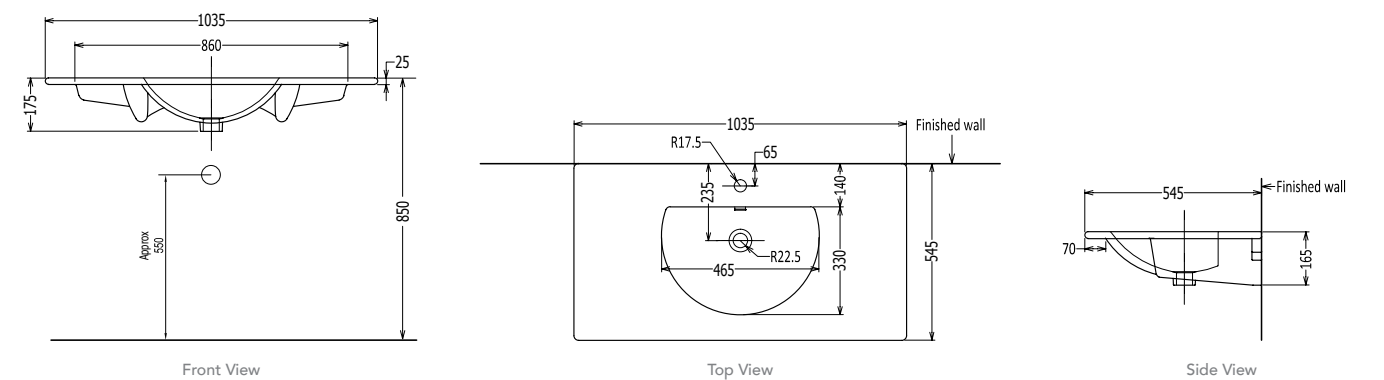
TECHNICAL INFORMATION

** Approximate measurements for comparison only

CONFIGURATION	WALL HUNG WASH BASIN
Weight	30.5 kg
Basin Area	475 x 335 x 125 mm
Height - Floor to Rim	850 mm
Nominal Dimensions	1035 x 545 x 175 mm
Faucet Hole	35 mm
Waste Hole	45 mm
Water Depth	74 mm

NAUTINA WASH BASIN

RB.NAT.01G101.01.18





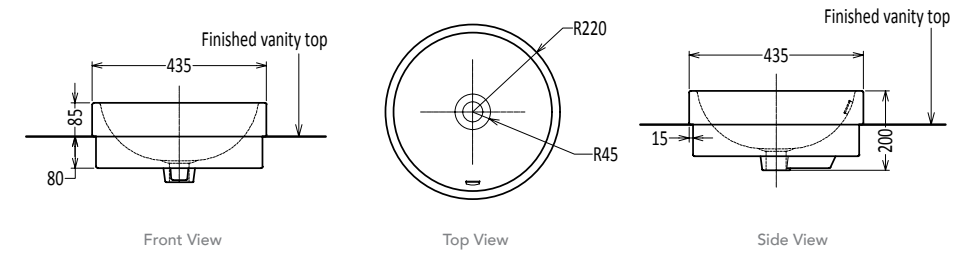
TECHNICAL INFORMATION

** Approximate measurements for comparison only

CONFIGURATION	ABOVE COUNTER WASH BASIN
Weight	10.5 kg
Basin Area	395 X 395 X 150 mm
Height - Floor to Rim	850 mm
Nominal Dimensions	435 X 435 X 200 mm
Faucet Hole	No Tap Hole
Waste Hole	45 mm
Water Depth	90 mm

LOOP WASH BASIN

RB.LOP.01G107.01.05



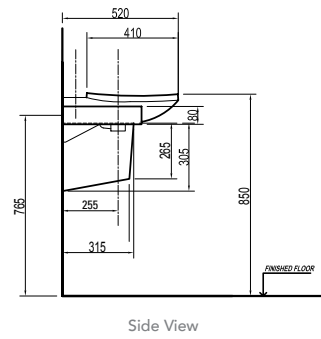
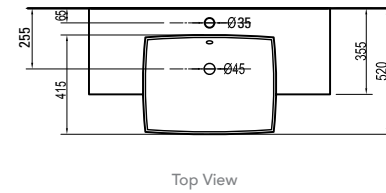
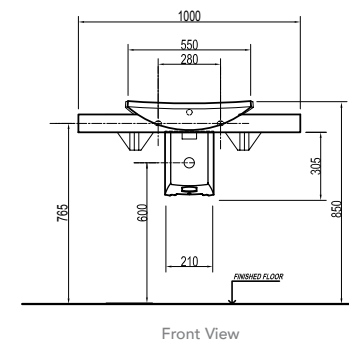
DEEP BLUE WASH BASIN

RB.DEB.01G101.01.16

TECHNICAL INFORMATION

** Approximate measurements for comparison only

CONFIGURATION	WALL HUNG WASH BASIN WITH HALF PEDESTAL
Weight (WB + Pedestal)	28.5 + 7 = 35.5 kg
Basin Area	525 X 390 X 105 mm
Height - Floor to Rim	905 mm
Nominal Dimensions	1000 X 520 X 210 mm (without pedestal)
Faucet Hole	35 mm
Waste Hole	45 mm
Water Depth	60 mm



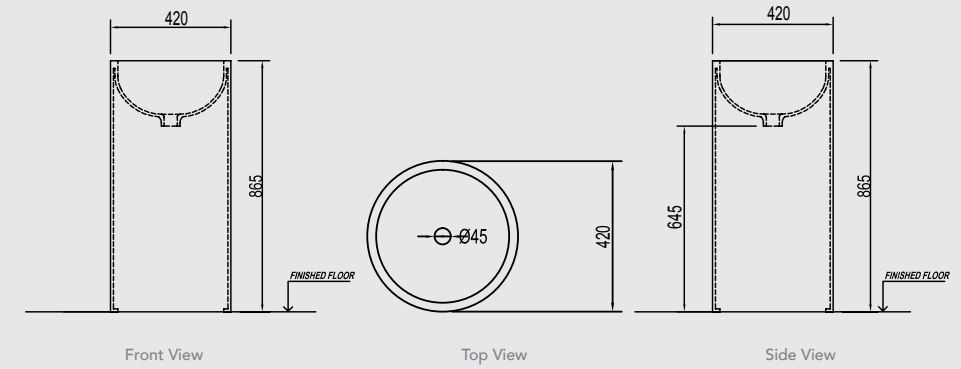
TECHNICAL INFORMATION

** Approximate measurements for comparison only

CONFIGURATION	FREE STANDING WASH BASIN
Weight	40 kg
Basin Area	370 X 370 X 175 mm
Height - Floor to Rim	865 mm
Nominal Dimensions	420 X 420 X 865 mm
Waste Hole	45 mm
Water Depth	175 mm

TUBE

RB.TTU.01G107.01.05



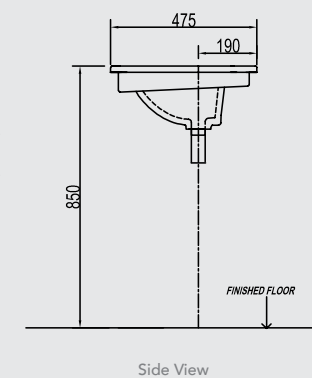
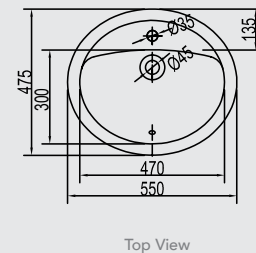
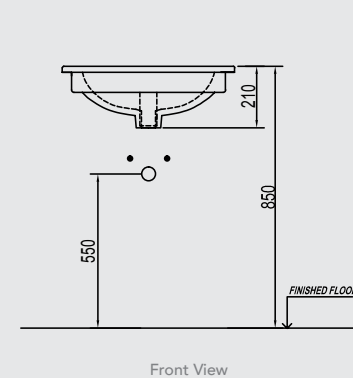
SUB ZERO WASH BASIN

RB.SUZ.01G109.01.08

TECHNICAL INFORMATION

** Approximate measurements for comparison only

CONFIGURATION	COUNTER TOP WASH BASIN
Weight	11 kg
Basin Area	470 x 300 x 145 mm
Height - Floor to Rim	850 mm
Nominal Dimensions	550 x 475 x 200 mm
Faucet Hole	35 mm
Waste Hole	45 mm
Water Depth	110 mm



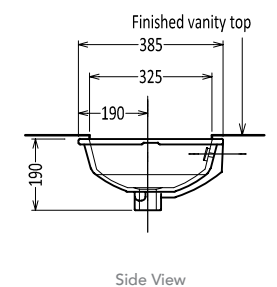
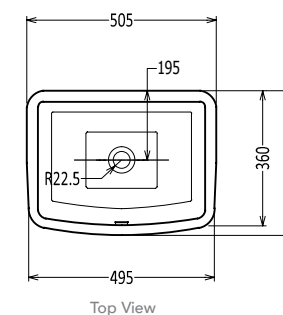
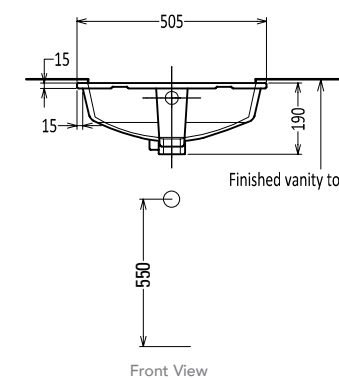
TECHNICAL INFORMATION

** Approximate measurements for comparison only

CONFIGURATION	UNDER COUNTER WASH BASIN
Weight	10.5 kg
Basin Area	445 x 325 x 145 mm
Height	850 mm
Nominal Dimensions	505 x 385 x 190 mm
Waste Hole	45 mm
Water Depth	90 mm

QUADRO WASH BASIN

RB.QUD.01G108.01.07



Scale - 1 : 20



Scale - 1 : 20



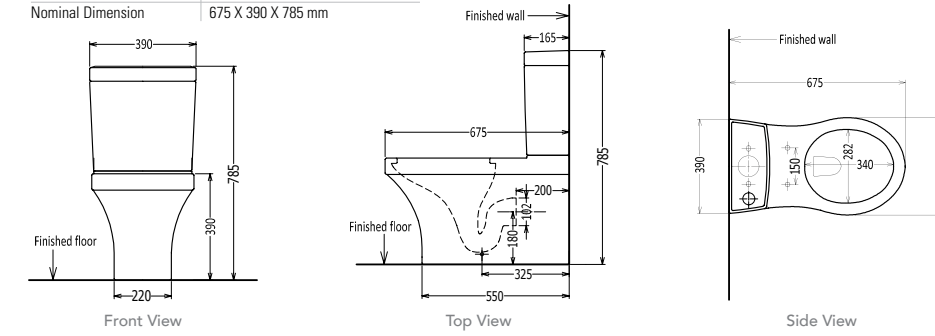
TECHNICAL INFORMATION

** Approximate measurements for comparison only

CONFIGURATION	ABOVE COUNTER WASH BASIN
Water per flush	4.5L of water for solid waste and 3L of water for liquid waste
Water depth from rim	245 mm
Trap Diameter	97-102 mm
Distance from floor to waste outlet centre	185 mm
Distance between seat post hole centres	155 mm
Weight (wc + tank)	(WC + WT) - 30.5+12.5=43 kg
Bowl Size	335 X 285 X 180 mm
Nominal Dimension	675 X 390 X 785 mm

AQUA FLAME WATER CLOSET

RB.AQF.03G119.01.10
RB.AQF.04G104.01.04
RB.TES.0PA661.DU.01



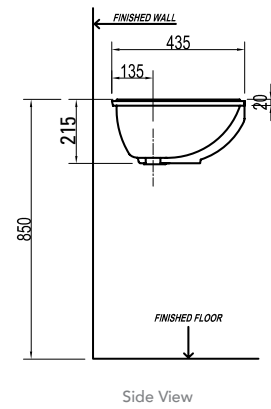
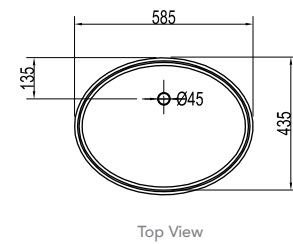
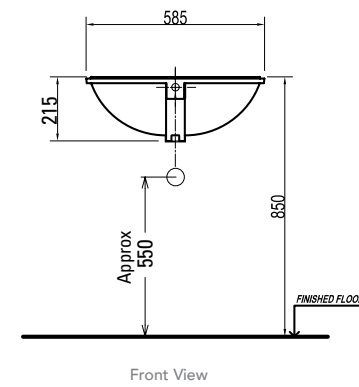
ZEN WASH BASIN

RB.ZEN.01G108.01.08

TECHNICAL INFORMATION

** Approximate measurements for comparison only

CONFIGURATION	UNDER COUNTER WASH BASIN
Weight	10 kg
Basin Size	530 x 385 x 165 mm
Height - Floor to Rim	850 mm
Nominal Dimensions	585 x 435 x 215 mm
Waste Hole	45 mm
Water Depth	120 mm



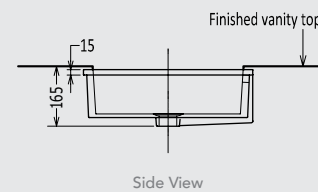
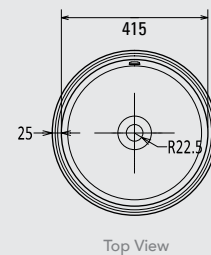
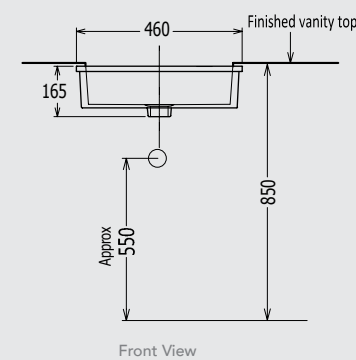
ZERO WASH BASIN

RB.ZRO.01G108.01.05

TECHNICAL INFORMATION

** Approximate measurements for comparison only

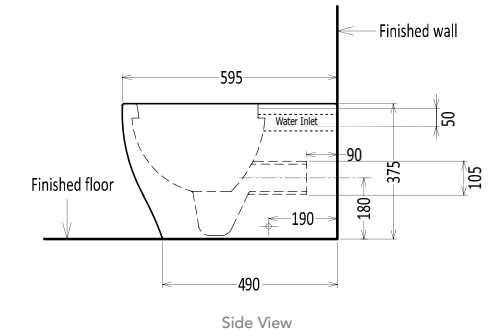
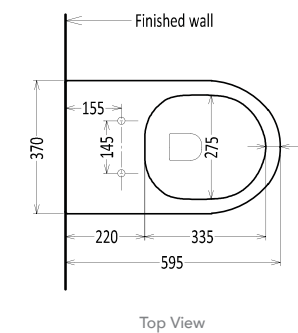
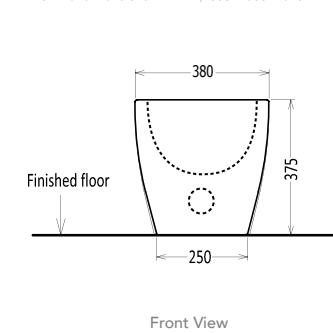
CONFIGURATION	UNDER COUNTER WASH BASIN
Weight	10.5 kg
Basin Area	415 x 415 x 110 mm
Height - Floor to Rim	850 mm
Nominal Dimensions	460 x 460 x 165 mm
Waste Hole	45 mm
Water depth	60 mm



TECHNICAL INFORMATION

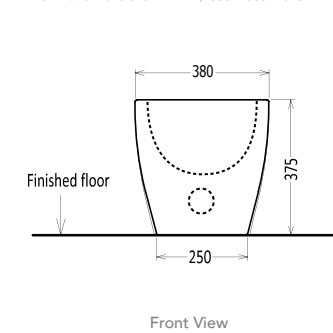
** Approximate measurements for comparison only

CONFIGURATION	UNDER COUNTER WASH BASIN
Water per flush	6L
Water depth from rim	175 mm
Trap diameter	102-97 mm
Distance from floor to waste outlet centre	85 mm
Distance between seat post hole centres	145 mm
Weight	30.5 kg
Bowl size	340 X 275 X 175 mm
Nominal dimensions	595 X 380 X 375 mm



SENSO WATER CLOSET

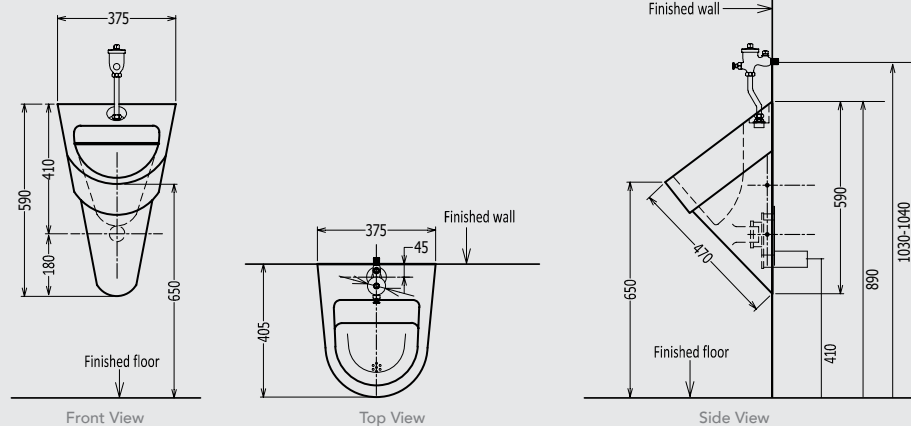
RB.SNF.03G117.01.09
RB.TRC.0FS210.AB.PA
RB.TUN.0PA660.EL.01





DEW POINT (MANUAL F/V)

RB.DWP.07G102.01.08



TECHNICAL INFORMATION

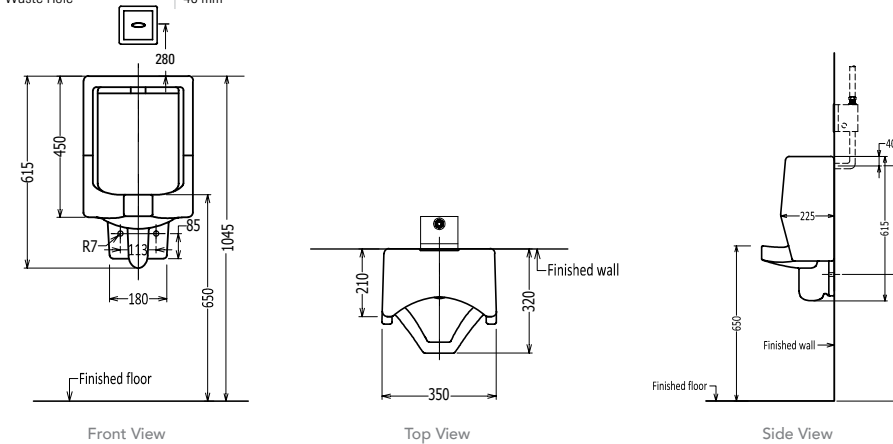
** Approximate measurements for comparison only

CONFIGURATION	WALL MOUNTED URINAL
Weight	14 kg
Height - Floor to Rim	650 mm
Nominal Dimensions	375 X 405 X 890 mm
Inlet Hole	35 mm
Waste Hole	45 mm

TECHNICAL INFORMATION

** Approximate measurements for comparison only

CONFIGURATION	WALL MOUNTED URINAL
Weight	20 kg
Height - Floor to Rim	650 mm
Nominal Dimensions	350 X 320 X 615 mm
Inlet Hole	35 mm
Waste Hole	40 mm



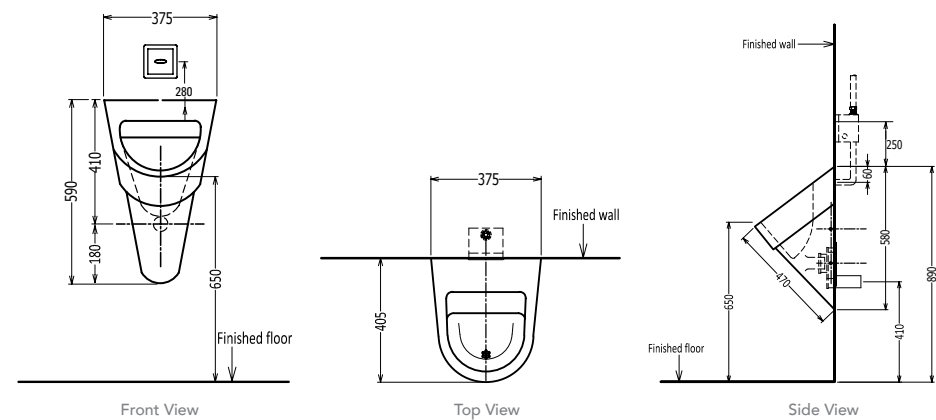
FLO (SENSOR)

RB.FLO.07G100.01.03



DEW POINT (SENSOR)

RB.DWP.07G100.01.08



TECHNICAL INFORMATION

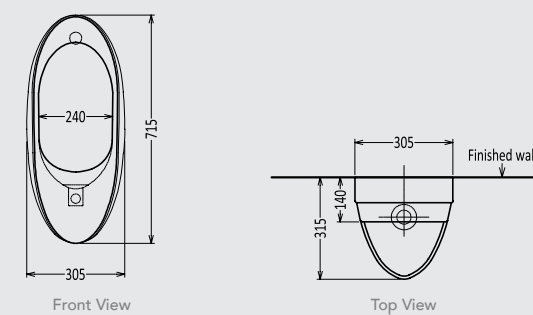
** Approximate measurements for comparison only

CONFIGURATION	WALL MOUNTED URINAL
Weight	14 kg
Height - Floor to Rim	650 mm
Nominal Dimensions	375 X 405 X 590 mm
Inlet Hole	35 mm
Waste Hole	45 mm

TECHNICAL INFORMATION

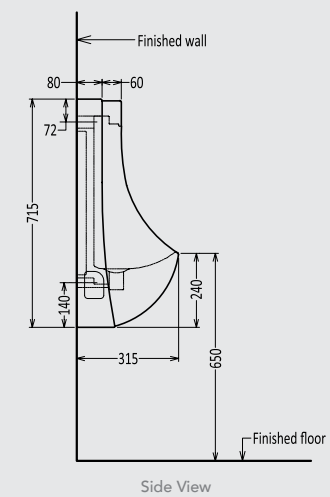
** Approximate measurements for comparison only

CONFIGURATION	WALL MOUNTED URINAL
Weight	17 kg
Nominal Dimensions	305 x 715 x 315 mm



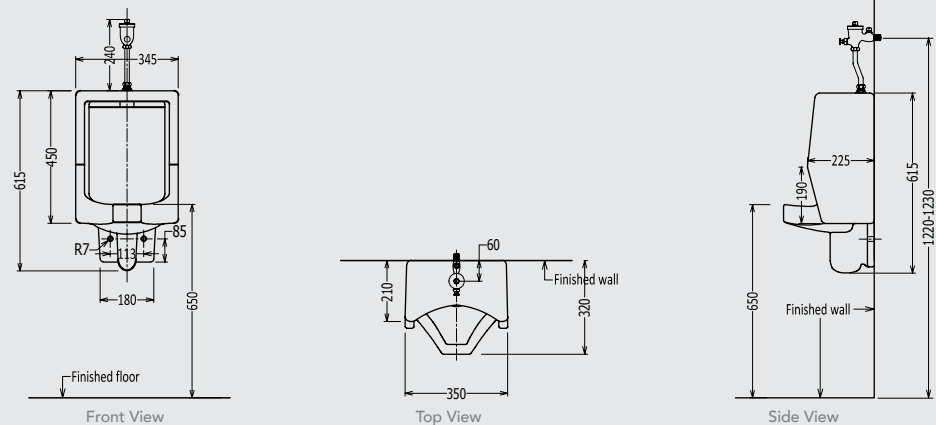
FIOR - URINAL (BACK INLET)

RB.FIR.07G100.01.11



FLO (MANUAL F/V)

RB.FLO.07G102.01.03



TECHNICAL INFORMATION

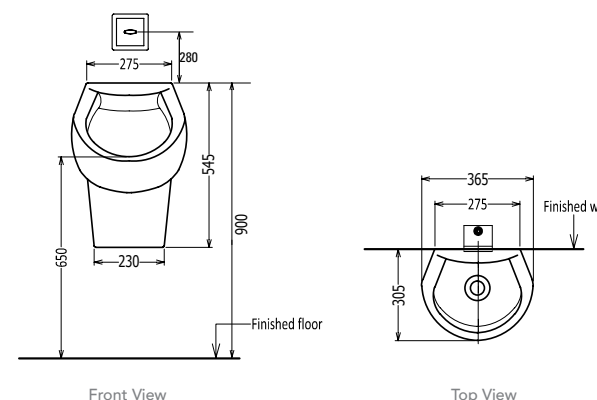
** Approximate measurements for comparison only

CONFIGURATION	WALL MOUNTED URINAL
Weight	20 kg
Height - Floor to Rim	650 mm
Nominal Dimensions	350 X 320 X 615 mm
Inlet Hole	35 mm
Waste Hole	40 mm

TECHNICAL INFORMATION

** Approximate measurements for comparison only

CONFIGURATION	WALL MOUNTED URINAL
Weight	14 kg
Height - Floor to Rim	650 mm
Nominal Dimensions	365 x 305 x 545 mm



URBANITY (SENSOR)

RB.UNY.07G100.01.07

